

Residential Door Locks



| | |
|--|-----|
| Nexion Electronic Keyless Lockset | 114 |
| Premium YDM3107 Proximity Digital Door Lock | 118 |
| Standard YDM3106 Proximity Digital Door Lock | 120 |
| i-Button YDR2105 Digital Rim Lock | 122 |

Nexion Electronic Keyless Lockset

General Information

The Nexion electronic keyless lockset represents the next generation in home security. This stylish lockset combines the security of an automatic deadlatch with added safety features, plus the convenience of keyless operation using the Q-Key remote control.

The Nexion Keyless Entry Lockset is battery operated, and emits an audible and visual confirmation of activation by the Q-Key remote control. The Q-Key has a range of up to three metres and uses the latest in encrypted rolling code technology for the highest security possible. Additional Q-Key remotes can easily be programmed by following a simple sequencing procedure. Should the Q-Key remote ever be misplaced, the lockset can be manually operated with a key.

Features

- Keyless entry using Q-Key (remote control)
- Fully encrypted rolling codes
- Safety features include **SafetyRelease** to minimise the risk of being locked in and Lockout Release
- Simple programming sequence to add or disable Q-keys and has a range of up to 3 metres
- The lockset provides both audible and visual confirmation of electronic activation. The Locksets mode is shown by LockAlert

LOCKALERT

The Nexion also has the unique Lockwood LockAlert status indicator that shows at a glance the lockset mode. The lockset can operate in three modes: Secure Mode, Safety Mode and Passage Mode.



Secure Mode (Red) Handles securely locked from both inside and outside

Safety Mode (Yellow) Handles securely locked from outside and free from the inside

Passage Mode (Green) Handles free from both inside and outside



Standards and Compliance

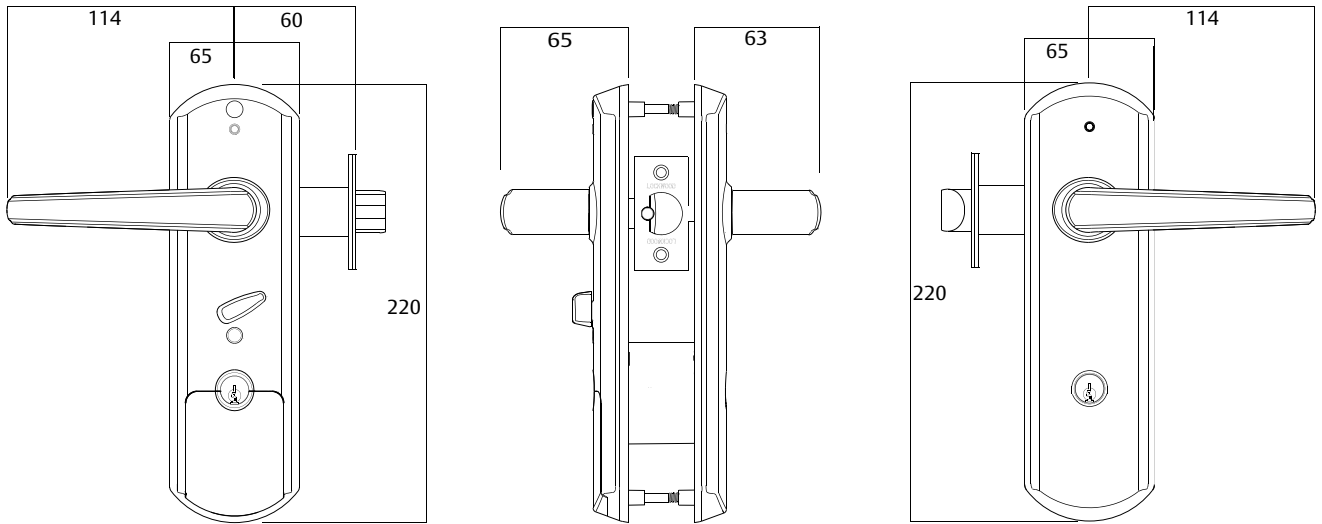
S3 (Security) Australian Lock Standard (AS4145.2.1993)

D3 (Durability) Australian Lock Standard (AS4145.2.1993)

CE CE Approved

C C-tick Certified

Nexion Electronic Keyless Lockset



Nexion Technical Information

| | |
|--------------------------|---|
| Case/Cover | High Purity Zinc alloy |
| Backset | Standard 60mm or 70mm available on some models. |
| Latchbolts | Stainless Steel – 15mm projection |
| Door thickness | Suitable for door thickness 35 to 45mm |
| Cylinder | 5 or 6 Pin Tumbler System. |
| Security | S3 – high security for maximum protection (AS4145.2:1993) |
| Durability | D3 – High durability for maximum frequency usage |
| Batteries | 4 AA Alkaline batteries |
| Standard Finishes | Gold Plated, Bright Chrome and Satin Chrome |

Accessories Ordering Information

| Product Description | Part Number |
|--|--------------|
| Q Key Keyless Remote – Display pack only | NXV8/10BLKDP |
| Rebate Kit – Trade Pack | NX8/20### |
| Rebate Kit – Display Pack | NX8/20###DP |
| Metal Frame Strike Kit – Trade pack Only | NX8/40### |
| NX8/70 Latch (70mm Backset) – Trade Pack Onl | NX8/70### |

Note: Finishes: Bright Chrome (CP), Satin Chrome (SC), and Gold Plated finishes (GLD). ### add in finish.

Nexion Ordering Information

| Series | Function | Cylinder | App. Option | Lever/ Knob | Finish | Options |
|--------------------|---------------------|---------------------|-------------|------------------------------------|--------|---------|
| NX | 2 | 2 | 1 | L2 | CP | 5KA |
| Series | Application Options | | Finish | | | |
| Nexion | NX | Timber Frame Strike | 1 | Gold | GLD | |
| Nexion Fire Rated* | NF | Metal Frame Strike | 3 | Bright Chrome | CP | |
| | | | | Satin Chrome | SC | |
| Function | Knob/Lever Style | | Options | | | |
| Combination | 1 | Crown | K1 | Trade Pack unless otherwise stated | | |
| Keyless Entry | 2 | Sphere | K2 | Display Packs | DP | |
| Dummy | 4 | Summit | L1 | Special Keying – Residential | 5KA | |
| Accessories | 8 | Spire | L2 | Key-Alike 5P | 6KA | |
| | | Hakea | 28 | Key-Alike 6P | 5PK | |
| Cylinder | | Acacia | 29 | Project Keying 5P | 6PK | |
| Dummy No Cylinder | 0 | Saltbush | 34 | Project Keying 6P | 5RP | |
| Single Cylinder | 1 | Mulga | 36 | | | |
| Double Cylinder | 2 | Gidgee | 37 | | | |

For other keying options contact Lockwood Sales Office



Nexion Electronic Keyless Lockset

General Information

The Nexion electronic keyless lockset represents the next generation in home security. This stylish lockset combines the security of an automatic deadlatch with added safety features, plus the convenience of keyless operation using the Q-Key remote control.

The Nexion Keyless Entry Lockset is battery operated, and emits an audible and visual confirmation of activation by the Q-Key remote control. The Q-Key has a range of up to three metres and uses the latest in encrypted rolling code technology for the highest security possible. Additional Q-Key remotes can easily be programmed by following a simple sequencing procedure. Should the Q-Key remote ever be misplaced, the lockset can be manually operated with a key.

Features

- Keyless entry using Q-Key (remote control)
- Fully encrypted rolling codes
- Safety features include **SafetyRelease** to minimise the risk of being locked in and Lockout Release
- Simple programming sequence to add or disable Q-keys and has a range of up to 3 metres
- The lockset provides both audible and visual confirmation of electronic activation. The Locksets mode is shown by LockAlert

LOCKALERT

The Nexion also has the unique Lockwood LockAlert status indicator that shows at a glance the lockset mode. The lockset can operate in three modes: Secure Mode, Safety Mode and Passage Mode.



Secure Mode (Red) Handles securely locked from both inside and outside

Safety Mode (Yellow) Handles securely locked from outside and free from the inside

Passage Mode (Green) Handles free from both inside and outside



Standards and Compliance

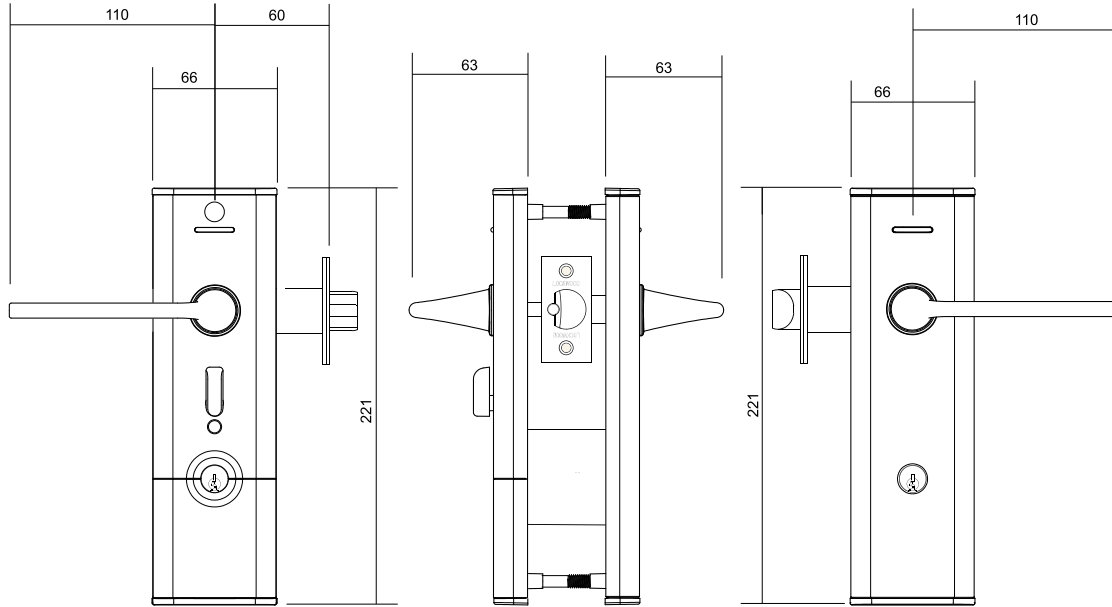
S3 (Security) Australian Lock Standard (AS4145.2.1993)

D3 (Durability) Australian Lock Standard (AS4145.2.1993)

CE CE Approved

C C-tick Certified

Nexion Electronic Keyless Lockset



Nexion Technical Information

| | |
|--------------------------|---|
| Case/Cover | High Purity Zinc alloy |
| Backset | Standard 60mm or 70mm available on some models. |
| Latchbolts | Stainless Steel – 15mm projection |
| Door thickness | Suitable for door thickness 35 to 45mm |
| Cylinder | 5 or 6 Pin Tumbler System. |
| Security | S3 – high security for maximum protection (AS4145.2:1993) |
| Durability | D3 – High durability for maximum frequency usage |
| Batteries | 4 AA Alkaline batteries |
| Standard Finishes | Gold Plated, Bright Chrome and Satin Chrome |

Accessories Ordering Information

| Product Description | Part Number |
|--|--------------|
| Q Key Keyless Remote – Display pack only | NXV8/10BLKDP |
| Rebate Kit – Trade Pack | NX8/20### |
| Rebate Kit – Display Pack | NX8/20###DP |
| Metal Frame Strike Kit – Trade pack Only | NX8/40### |
| NX8/70 Latch (70mm Backset) – Trade Pack Onl | NX8/70### |

Note: Finishes: Bright Chrome (CP), Satin Chrome (SC), and Gold Plated finishes (GLD). ### add in finish.

Nexion Ordering Information

| Series | Function | Cylinder | App. Option | Lever/ Knob | Finish | Options |
|-----------------|----------|---------------------|-------------|------------------------------------|--------|---------|
| NXV | 2 | 2 | 1 | L2 | CP | 5KA |
| Series | | Application Options | | Finish | | Options |
| Nexion | NXV | Timber Frame Strike | 1 | Bright Chrome | CP | |
| | | Metal Frame Strike | 3 | Satin Chrome | SC | |
| Function | | Knob/Lever Style | | Options | | |
| Combination | 1 | Summit | L1 | Trade Pack unless otherwise stated | | |
| Keyless Entry | 2 | Spire | L2 | Display Packs | DP | |
| Dummy | 4 | Element | L3 | Special Keying – Residential | 5KA | |
| Accessories | 8 | Glide | L4 | Key-Alike 5P | 6KA | |
| | | Aria | 27 | Key-Alike 6P | 5PK | |
| Cylinder | | Hakea | 28 | Project Keying 5P | 6PK | |
| Double Cylinder | 2 | Acacia | 29 | Project Keying 6P | 5RP | |
| | | Saltbush | 34 | | | |
| | | Mulga | 36 | | | |
| | | Gidgee | 37 | | | |

For other keying options contact Lockwood Sales Office



Premium Proximity Digital Door Lock

General Information

The Yale Digital door lockset represents the next generation in total Keyless security (YDM 3107). This lockset combines the security of an automatic deadbolt with added safety features, plus the convenience of keyless operation using the RFID card / fob or Keypad. This Yale Digital Lockset is battery operated, and has an emergency power socket located on the outside.

Features

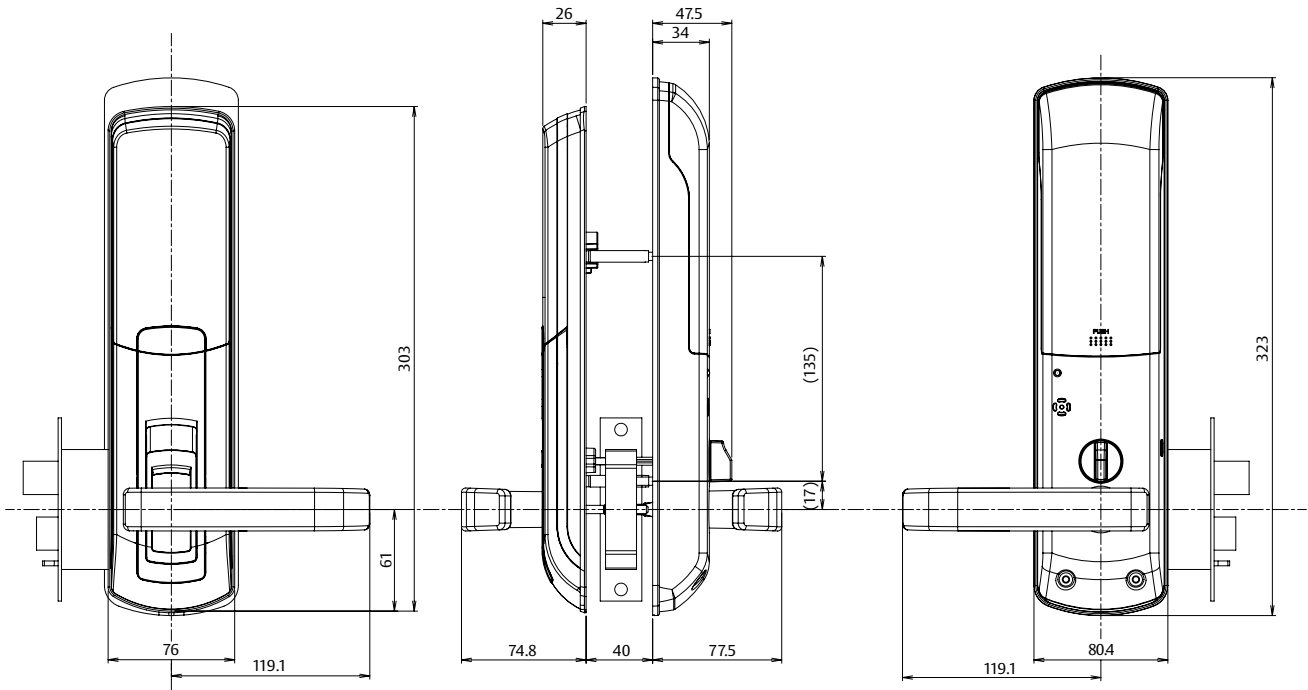
- Multiple credentials – The Yale YDM3107 have two access credentials, a pin code (4-12 Digits) or RFID Proximity Card (up to 20)
- Missing key invalidation – If one of the keys are lost, you have to re-register your keys
- Automatic locking – The Yale YDM3107 automatically locks a door when you leave or enter. (Manual operation is also available)
- Anti-panic egress – The door is automatically unlocked whenever the inner lever handle is used
- Alarm (Break/Damage/Fire) – An 80dB siren will trigger if
 - Anyone attempts to damage the lock
 - The door is forced open
 - Lock detects temperatures over 60°C
- Low battery and emergency power – When the battery falls below a certain voltage an alarm signal and LED visual indicator will alert the user. If the user fails to replace the battery after that, an emergency power socket is located on the exterior of the lock for entry (9V battery)
- Mechanical key override – Two mechanical override keys are supplied in case the pin is forgotten or RFID card is lost

Applications

- External front door lock for homes and apartments (unexposed)
- Internal door leading between garage and home
- Internal door not controlled by current access control system



Premium Proximity Digital Door Lock



YDM3107 Technical Information

Case/Cover Stainless Steel Chassis, Zinc Casing, Plastic Slide and Battery Cover, Cast Aluminium Lever

Backset 70mm

Door Thickness Suitable for 35-45mm steel and wooden door

Latchbolts Zinc Diecast Latchbolts

Mortice Steel and Zinc Diecasting

Second Credential 4 x Prox Cards (program up to 20)

Batteries 8 x AA Alkaline Batteries

Operating Temp -15°C to 55°C

Standard Finishes Black

Dimensions
 Front Body
 72(D)x303(W)x26(H)mm
 Back Body
 81(D)x323(W)x48(H)mm

Ordering Information

| Product Description | Part Number |
|---|-------------|
| Yale Premium RFID Proximity Digital Door Lock | YDM 3107 |
| RFID Card | YRF10 |
| RFID Fob | YRF20 |



Standard Proximity Digital Door Lock

General Information

The Yale Digital door lockset represents the next generation in total Keyless security (YDM 3106). This lockset combines the security of an automatic deadbolt with added safety features, plus the convenience of keyless operation using the RFID card / fob or Keypad. This Yale Digital Lockset is battery operated, and has an emergency power socket located on the outside.

Features

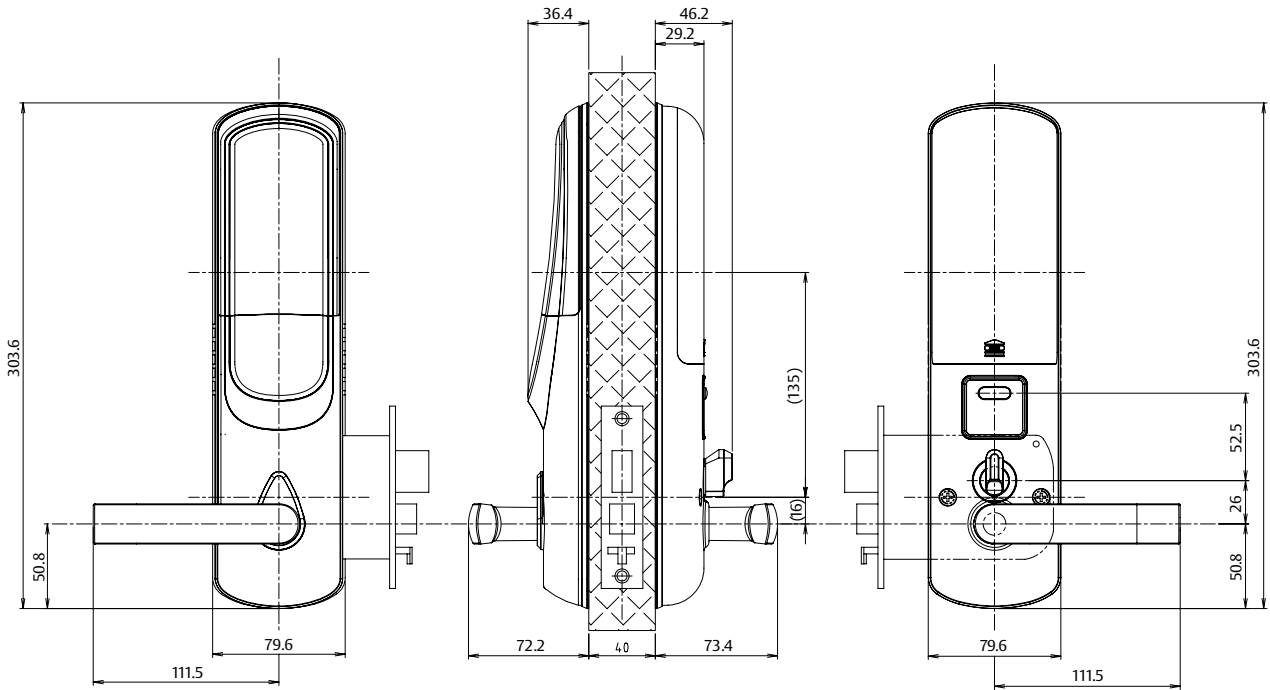
- Multiple credentials – The Yale YDM3106 have two access credentials, a pin code (4-12 Digits) or RFID Proximity Card (up to 20)
- Missing key invalidation – If one of the keys are lost, you have to re-register your keys
- Automatic locking – The Yale YDM3106 automatically locks a door when you leave or enter. (Manual operation is also available)
- Alarm (Break / Damage / Fire) – An 80dB siren will trigger if
 - Anyone attempts to damage the lock
 - The door is forced open
 - Lock detects temperatures over 60°C
- Low battery and emergency power – When the battery falls below a certain voltage an alarm signal and LED visual indicator will alert the user. If the user fails to replace the battery after that, an emergency power socket is located on the exterior of the lock for entry (9V battery)
- Mechanical key override – Two mechanical override keys are supplied in case the pin is forgotten or RFID card is lost

Applications

- External front door lock for homes and apartments (unexposed)
- Internal door leading between garage and home
- Internal door not controlled by current access control system



Standard Proximity Digital Door Lock



YDM 3106 Technical Information

| | |
|--------------------------|---|
| Case/Cover | Stainless Steel Chassis, Zinc Casing, Plastic Slide and Battery Cover, Cast Aluminium Lever |
| Backset | 70mm |
| Door Thickness | Suitable for 35-45mm steel and wooden door |
| Latchbolts | Stainless Steel Latchbolts |
| Mortice | Steel and Zinc Diecasting |
| Second Credential | 4 x Prox Cards |
| Batteries | 8 x AA Alkaline Batteries |
| Operating Temp | -15°C to 55°C |
| Standard Finishes | Silver |
| Dimensions | Front Body 73(D)x300(W)x36(H)mm Back Body 76(D)x300(W)x31(H)mm |

Ordering Information

| Product Description | Part Number |
|--|-------------|
| Yale Standard RFID Proximity Digital Door Lock | YDM 3106 |
| RFID Card | YRF10 |
| RFID Fob | YRF20 |



i-Button Digital Rim Lock

General Information

The Yale Digital Rimlock represents the next generation in total Keyless security (YDR 2105). This rimlock combines the security of an automatic deadbolt with added safety features, plus the convenience of keyless operation using the i-Button fob or Keypad. This Yale Digital rimlock is battery operated, and has an emergency power socket located on the outside.

Features

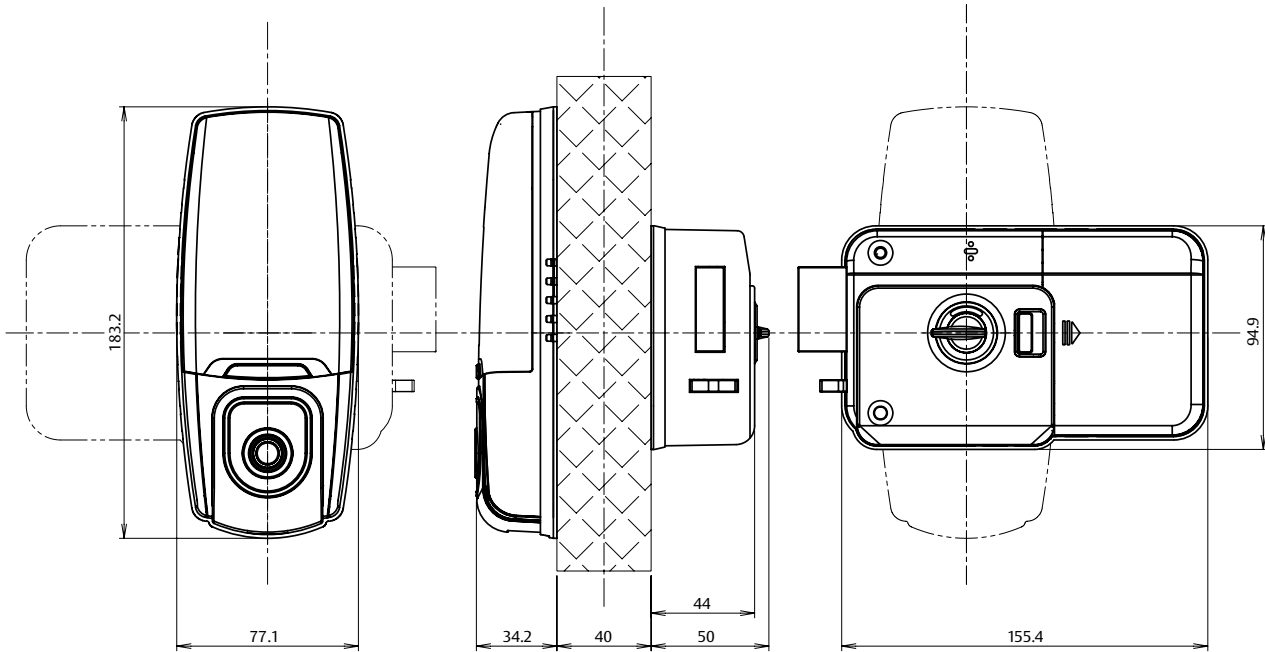
- Various access – Yale YDR2105 has two access solutions, a pin code or i-Button key at your convenience
- Missing key invalidation – Once you lose your key, it has no validation as long as you re-register rest of your keys
- Automatic locking – Yale Digital Door Lock series automatically locks a door after checking it is properly closed. (Manual operation is also available)
- Alarm (Break / Damage / Fire) – 80dB alarm goes off if anyone attempts to damage the lock or force the door open or the lock detects over 60°C
- Low battery and emergency power – When the battery falls below a certain voltage an alarm signal and LED visual indicator will alert the user. If the user fails to replace the battery after that, an emergency power socket is located on the exterior of the lock for entry (9V battery)
- Mechanical key override – For emergency, it can also be unlocked with a mechanical key

Applications

- External front door lock for homes and apartments (unexposed)
- Internal door leading between garage and home
- Internal door not controlled by current access control system



i-Button Digital Rim Lock



YDR 2105 Technical Information

| | |
|--------------------------|---|
| Case/ Cover | Stainless Steel Chassis, Zinc Casing, Plastic Slide and Battery Cover, Cast Aluminium Lever |
| Door Thickness | Suitable for 35-45mm steel and wooden door |
| Latchbolts | Zinc motorised bolt |
| Second Credential | 4 x i-Button Keys |
| Batteries | 4 x AA Alkaline Batteries |
| Operating Temp | -15°C to 55°C |
| Standard Finish | Black with Champagne |
| Dimensions | Front Body 73(D)x182(W)x33(H)mm Back Body 153(D)x92(W)x42(H)mm |

Ordering Information

| Product Description | Part Number |
|---|-------------|
| Yale Standard i-Button Digital Rim Lock | YDR 2105 |
| i-Button Touch Key | YIB10 |

