

8002 Electromechanical Door Operator



General Information

The Lockwood Swing Door Operator is an electro-hydraulic operator designed for a wide variety of applications. It is suitable for almost all types of external and internal swing doors and has been developed to cope with tough conditions. The operator can be mounted on either side of the door for pull or push action and is suitable for single or double doors fitted with butt hinges or pivots. With remote, push button and motion sensor options, the 8002 provides a full range of electronic door opening solutions.

Features

- Opens with motor and closes with spring
- Opening and closing speeds can be varied individually
- Door opening angle adjustable up to 120°
- A range of manual and automatic activation units available
- Impulse and presence detection sensors available
- Non Handed
- Push or pull opening solutions

Applications

- Disability Entrance solutions
- Hospital and Health Centre Applications
- Access Controlled Locking
- In Swinging or Out Swinging Doors

Meets requirements for door weights/widths stated in the:

Controlled door closing, EN 1154 size 3 – 6

Coordination unit for rebated doors, EN 1158

Door closer with opening device (Swing door operator), DIN 18263-4 AU Size 3-6

ANSI/BHMA A156.10, A156.19

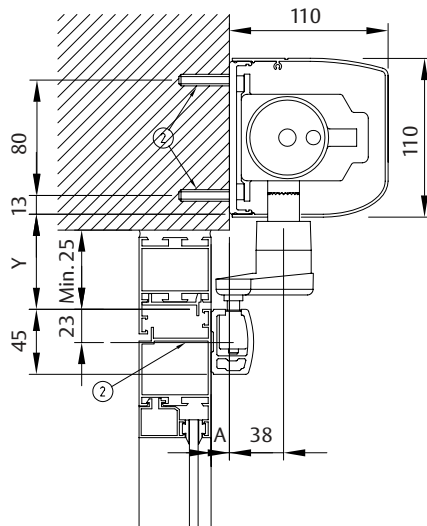


UL325/CUL325

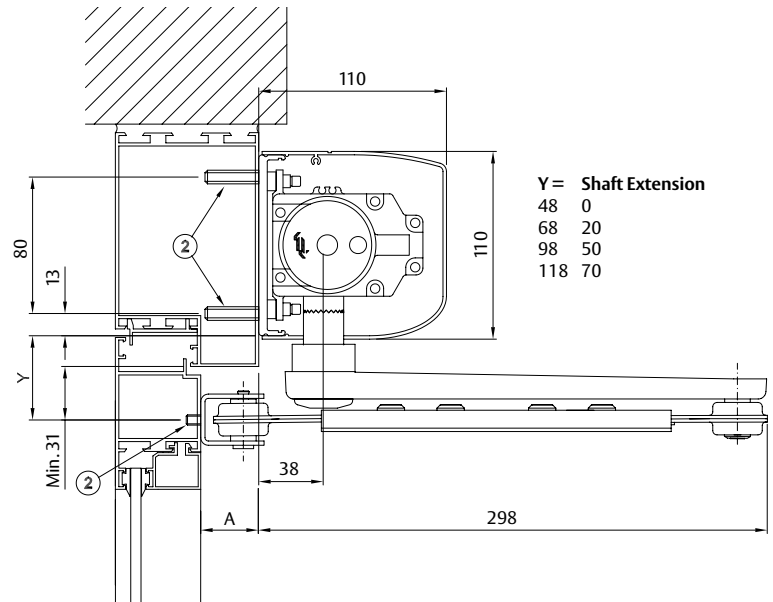
SITAC 0710/97

8002 Electromechanical Door Operator

Pull Side



Push Side



Technical Information

Electrical	230V AC Mains power, 50 Hz fuse 10 A
Door leaf width	Maximum door width – 1600mm
Recommended door weight	Maximum door weight – 250 kg
Door opening angle	Maximum opening angle - 120°
Closing Power	EN Size 3-6
Environment	Operational temperature range: -15°C to +50°C
Dimensions	110 (H) x 110 (D) x 716 (L) mm

Specification Statement

This Door Operator must have an electro-hydraulic motor with a capacity to push or pull doors up to 250kg in weight. The operator could be mounted on either side of the door for pull or push action and should be suitable for single or double doors fitted with butt hinges or pivots. The operator should have inputs for various electronic keypad controllers and motion sensors.

Ordering Information

Product Description	Part Number
Swing Door Operator (PUSH SIDE)	8002SSIL
Swing Door Operator (PUSH SIDE)	8002PSIL
Accessories	
Telescopic Arm 110 – 235MM Reveal (PUSH SIDE)	8002-173005
Telescopic Arm 235 – 360MM Reveal (PUSH SIDE)	8002-173004
Joint for Telescopic Arm 235 – 485MM Reveal (PUSH SIDE)	8002-173191
Doorstop – Push Arm System	8002-100147
Spacer For Door Fitting	8002-173804BK