



Entrance Handles



ASSA ABLOY

ASSA ABLOY, the global leader
in door opening solutions

Contents

Features and Specifications	1
Part Numbers & Dimensions	2 - 4
Ordering Procedure	5
Specification Service	5
Product Maintenance	5

Lockwood Entrance Handles are constructed using the finest materials to incorporate the maximum standards in style, durability, finish and design.

Style & Variety

Combining fit for purpose with the epitome of style, the Lockwood Entrance Handles range represents a comprehensive collection of high quality back to back handles.

Nine designs, ranging from the classic to the contemporary, have been selected to compliment the evolving style requirements of both residential and commercial markets.

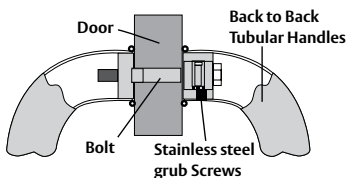
Stainless Steel Construction

Constructed of 304 grade stainless steel, Lockwood Entrance Handles are suitable for use in external environments.

Application

Lockwood Entrance Handles are suitable for use on timber or aluminium frame as well as glass doors; making them the ideal choice for commercial, industrial and residential applications.

Multi Fix - Timber, aluminium or glass doors



Packaging For Various Doors

Each Lockwood Entrance handle comes supplied with spigots to suit 10 – 12mm thick glass doors as well as spigots to suit aluminium and timber doors up to 50mm thick.

Standard Finishes

Satin Stainless Steel

SSS



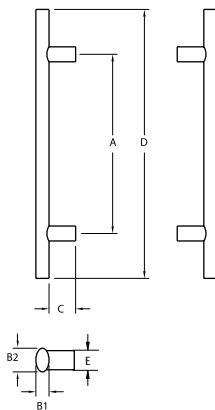
Entrance Handles

141

Dimensions:

	A	B1	B2	C	D	E
141X300SSS	300mm	22mm	40mm	45mm	450mm	25mm
141X450SSS	450mm	22mm	40mm	45mm	600mm	25mm
141X600SSS*	600mm	22mm	40mm	45mm	750mm	25mm

* Pictured

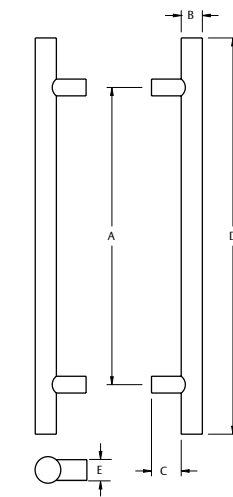


142

Dimensions:

	A	B	C	D	E
142X300SSS	300mm	32mm	45mm	450mm	25mm
142X450SSS	450mm	32mm	45mm	600mm	25mm
142X600SSS*	600mm	32mm	45mm	750mm	25mm

* Pictured

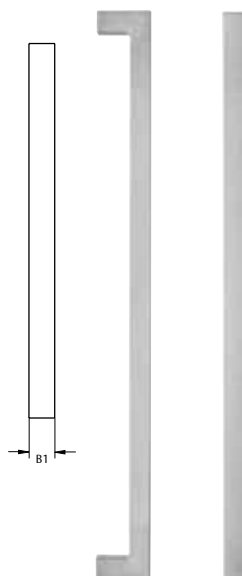
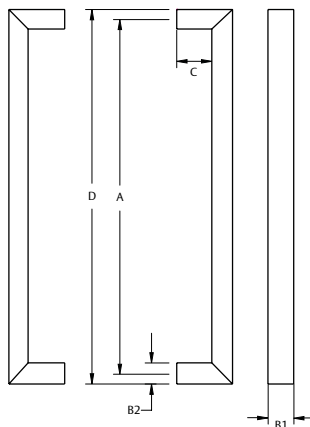


143

Dimensions:

	A	B1	B2	C	D
143X300SSS	300mm	30mm	15mm	35mm	315mm
143X450SSS	450mm	30mm	15mm	35mm	465mm
143X600SSS*	600mm	30mm	15mm	35mm	615mm

* Pictured

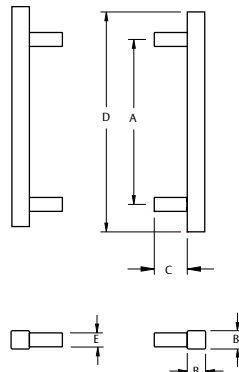


145

Dimensions:

	A	B	C	D	E
145X225SSS	225mm	25mm	45mm	300mm	19mm
145X375SSS	375mm	25mm	45mm	450mm	19mm
145X525SSS*	525mm	25mm	45mm	600mm	19mm

* Pictured

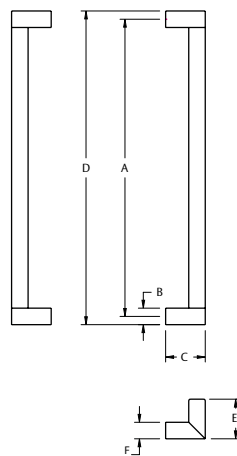


146

Dimensions:

	A	B	C	D	E	F
146X450SSS	450mm	25mm	60mm	475mm	60mm	25mm
146X600SSS*	600mm	25mm	60mm	625mm	60mm	25mm

* Pictured



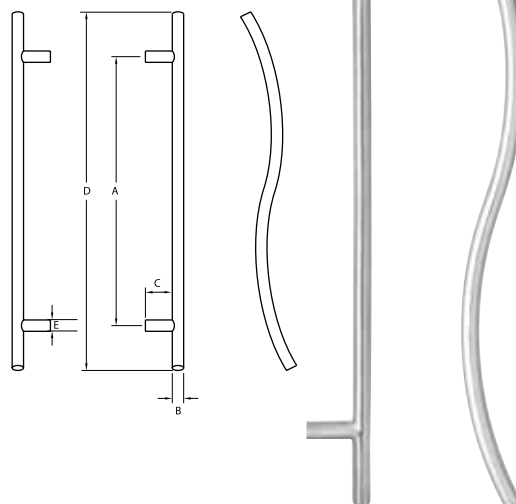
ASSA ABLOY

Entrance Handles

147

Dimensions:

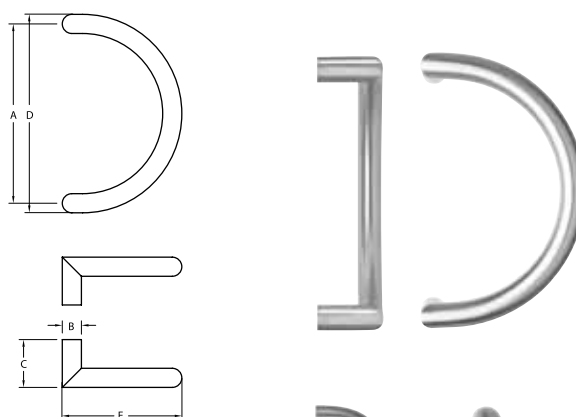
	A	B	C	D	E
147X450SSS	450mm	19mm	45mm	600mm	19mm



151

Dimensions:

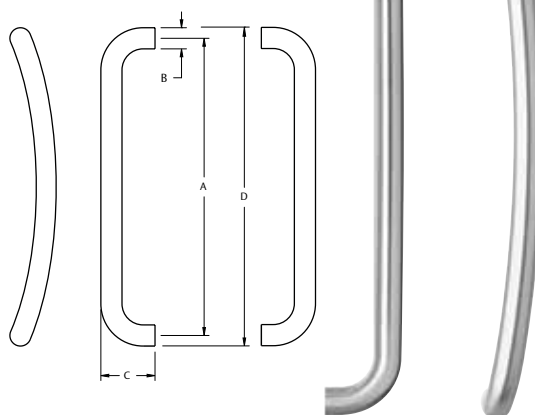
	A	B	C	D	E
151X3000SSS	300mm	32mm	80mm	332mm	200mm



192

Dimensions:

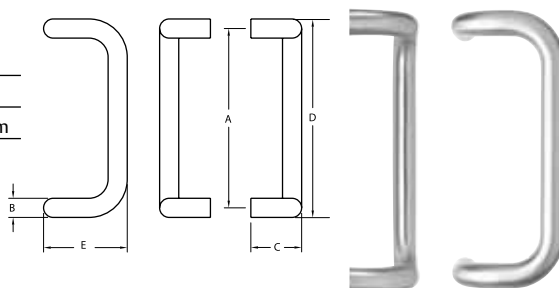
	A	B	C	D
192X450SSS	450mm	32mm	85mm	482mm
192X600SSS	600mm	32mm	85mm	632mm



231

Dimensions:

	A	B	C	D	E
231X3000SSS	300mm	32mm	85mm	332mm	140mm



Ordering Procedure

Sample Part Number 141X300SSS is made up of several sections. Choose your product by selecting an option from each section.

For example:

Design	Centre to Centre	Finish
141	X 300	SSS

Design	Centre to Centre	Finish
141 Style	141	300mm Centres 300
142 Style	142	141, 142, 143, 151, 231
143 Style	143	400mm Centres 400
145 Style	145	141, 142, 143, 146, 147, 192
146 Style	146	600mm Centres 600
147 Style	147	141, 142, 143, 146, 192
151 Style	151	225mm Centres (145 Style Only) 225
192 Style	192	375mm Centres (145 Style Only) 375
231 Style	231	525mm Centres (145 Style Only) 525

Finish
Satin Stainless Steel SSS



Specification Service

For all Architectural hardware specification assistance refer to your local ASSA ABLOY Sales Office.

A fully comprehensive, obligation free, Architectural Door Hardware specification can be prepared by Architectural Hardware Representatives.

Quality Endorsed Company

SAI Global operates a program which assesses the quality procedures and capabilities of an organisation in terms of the requirements of specific Australian and International Standards for Quality Systems. Following assessment by SAI Global.



ASSA ABLOY Australia Pty Limited, 235 Huntingdale Rd, Oakleigh VIC 3166, has been granted a certificate of registration as a quality endorsed company complying with the requirements of AS 3902/ISO 9001 – Quality Systems for Production and Installation.

Disclaimer

Whilst every effort has been made to ensure that the information contained in this catalogue is accurate at the time of publication, ASSA ABLOY recommends that you consult ASSA ABLOY or its agents prior to placing an order to ascertain current information on specific products, as ASSA ABLOY reserves the right to make changes without notice. ASSA ABLOY will not be liable for any injury, loss or damage whatsoever, arising from any errors or omissions in the information contained in the catalogue or arising from the use or application of the information contained herein. This catalogue does not constitute an offer for the sale of any particular product.

Lockwood Guarantee and Care & Maintenance

Please go to lockweb.com.au for details on Lockwood Guarantee and product care & maintenance.

ASSA ABLOY is the global leader in door opening solutions, dedicated to satisfying end-user needs for security, safety and convenience



Lockwood is the leading brand in the Australian locking industry. With an established reputation for high quality products, this iconic brand provides a wide range of locking solutions to residential housing, commercial building and industrial application markets. Lockwood is supported by an extensive distribution and after-sales support network. Our customers include retailers, architects, trade and industrial personnel, locksmiths and security dealers.

ASSA ABLOY

ASSA ABLOY is the global leader in door opening solutions, dedicated to satisfying end-user needs for security, safety and convenience.

ASSA ABLOY is represented in all major regions, in both mature and emerging markets, with leading positions in Australia, Europe and North America.

As the world's leading lock group, ASSA ABLOY offers a more complete product range of door opening solutions than any other company in the market.

Australia
1300 LOCK UP (1300 562 587)
lockweb.com.au

New Zealand
Telephone +64 9415 7888
assaabloy.co.nz

ASSA ABLOY Australia Pty Limited
235 Huntingdale Road,
Oakleigh Victoria, 3166
Australia

info.au@assaabloy.com
assaabloy.com.au

ASSA ABLOY New Zealand Ltd.
6 Armstrong Road
Albany, North Shore City, 0632
New Zealand

info.nz@assaabloy.com
assaabloy.co.nz

