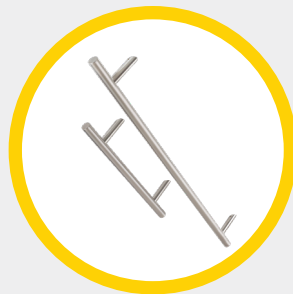




The world's favourite lock since 1843

# Lockmaster AutoEngage

## Technical Manual





# Contents

## Classic Range

- Yale Lockmaster AutoEngage Classic multi-point lock - 35mm centre, 16mm faceplate
- Yale Lockmaster AutoEngage Classic multi-point lock - 35mm centre, 16mm faceplate - routing prep
- Yale Lockmaster AutoEngage Classic multi-point lock - 35mm centre, 20mm radius end faceplate
- Yale Lockmaster AutoEngage Classic multi-point lock - 35mm centre, 20mm radius end faceplate - routing prep
- Yale Lockmaster AutoEngage Classic multi-point lock - 45mm centre, 16mm faceplate
- Yale Lockmaster AutoEngage Classic multi-point lock - 45mm centre, 16mm faceplate - routing prep
- Yale Lockmaster AutoEngage Classic multi-point lock - 45mm centre, 20mm radius end faceplate
- Yale Lockmaster AutoEngage Classic multi-point lock - 45mm centre, 20mm radius end faceplate - routing prep

## Heritage Range

- Yale Lockmaster AutoEngage Heritage multi-point lock - 35mm centre, 16mm faceplate
- Yale Lockmaster AutoEngage Heritage multi-point lock - 35mm centre, 16mm faceplate - routing prep
- Yale Lockmaster AutoEngage Heritage multi-point lock - 35mm centre, 20mm radius end faceplate
- Yale Lockmaster AutoEngage Heritage multi-point lock - 35mm centre, 20mm radius end faceplate - routing prep
- Yale Lockmaster AutoEngage Heritage multi-point lock - 45mm centre, 16mm faceplate
- Yale Lockmaster AutoEngage Heritage multi-point lock - 45mm centre, 16mm faceplate - routing prep
- Yale Lockmaster AutoEngage Heritage multi-point lock - 45mm centre, 20mm radius end faceplate
- Yale Lockmaster AutoEngage Heritage multi-point lock - 45mm centre, 20mm radius end faceplate - routing prep

## Door Furniture

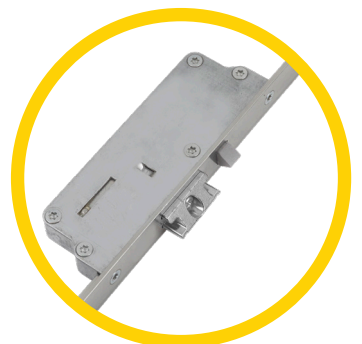
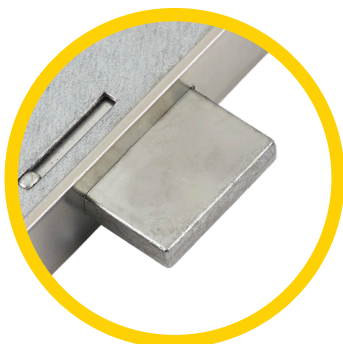
- Platinum 3 Star Euro Profile Cylinder
- Platinum 2 Star High Security Cylinder Pull
- Elite Escutcheon
- Elite Pull Bar Handle
- Elite Contemporary Bow Pull Handle
- Elite Central Knob
- Contemporary Door Knocker
- Traditional Door Knocker



The world's favourite lock since 1843

# Yale Lockmaster AutoEngage

Classic multi-point lock





The world's favourite lock since 1843

# Multi-point Door Locks

## Yale Lockmaster AutoEngage

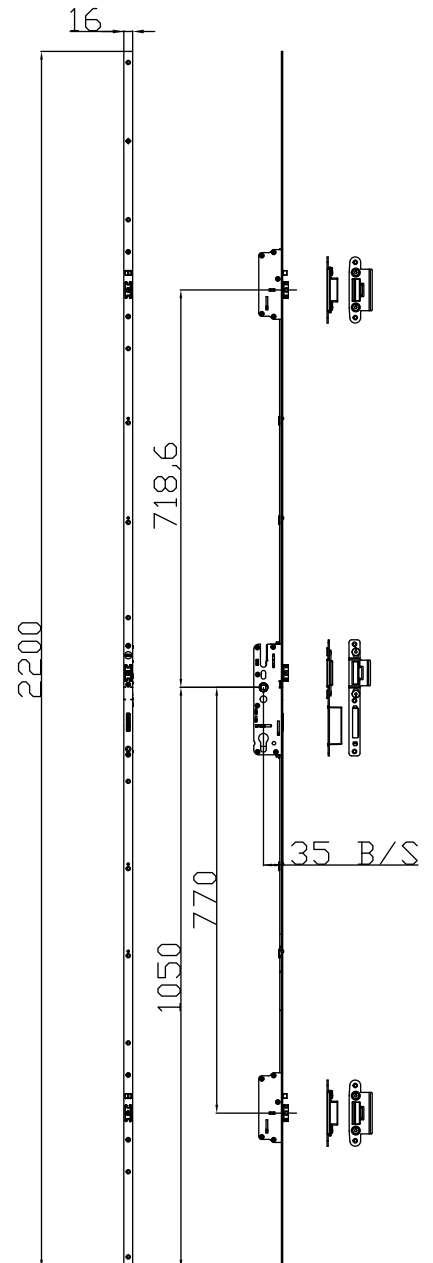
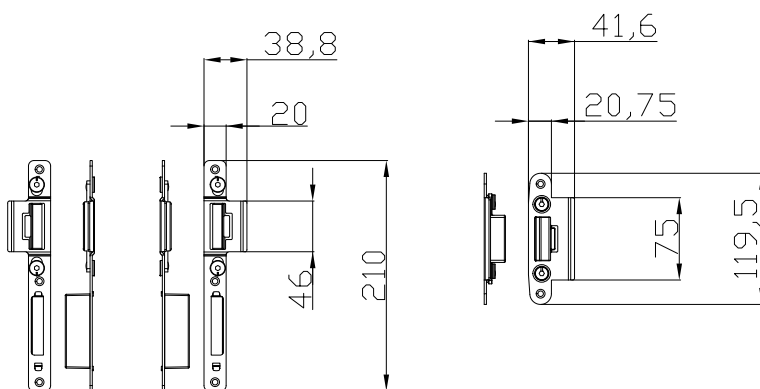
### Classic multi-point lock - 35mm centre, 16mm faceplate

#### Features:

- Auto engage key retract locking mechanism
- Two security latches automatically fire upon closure offering 20mm deadbolt engagement
- Fully reversible security latches
- Central deadbolt provides independent security with a 20mm throw
- 35mm backset
- Suitable for composite and timber doors
- Designed to be compatible with a wide range of decorative furniture sets
- Yale branded
- 16mm faceplate
- Mild steel and Austenitic 304 Stainless steel options available

#### Specification:

- PAS 24:2016 compliant
- BS EN 1670:2007 Grade 4 (240hrs. NSST)
- Tested to a minimum of 100,000 cycles
- 10 year mechanical guarantee
- Made in Britain
- Lifetime security guarantee when used with other Yale security hardware\*



#### Part Code:

YAS1-3501-19  
 PLK924-19  
 PLK925-19  
 PLK965-19  
 AS3-K-C06

#### Part Name:

AutoEngage - Classic, 35mm centre, 16mm faceplate  
 AutoEngage - Adjustable Centre Keep, Left Hand  
 AutoEngage - Adjustable Centre Keep, Right Hand  
 AutoEngage - Adjustable Security Latch Keep  
 AutoEngage - Latch Keep End Packer



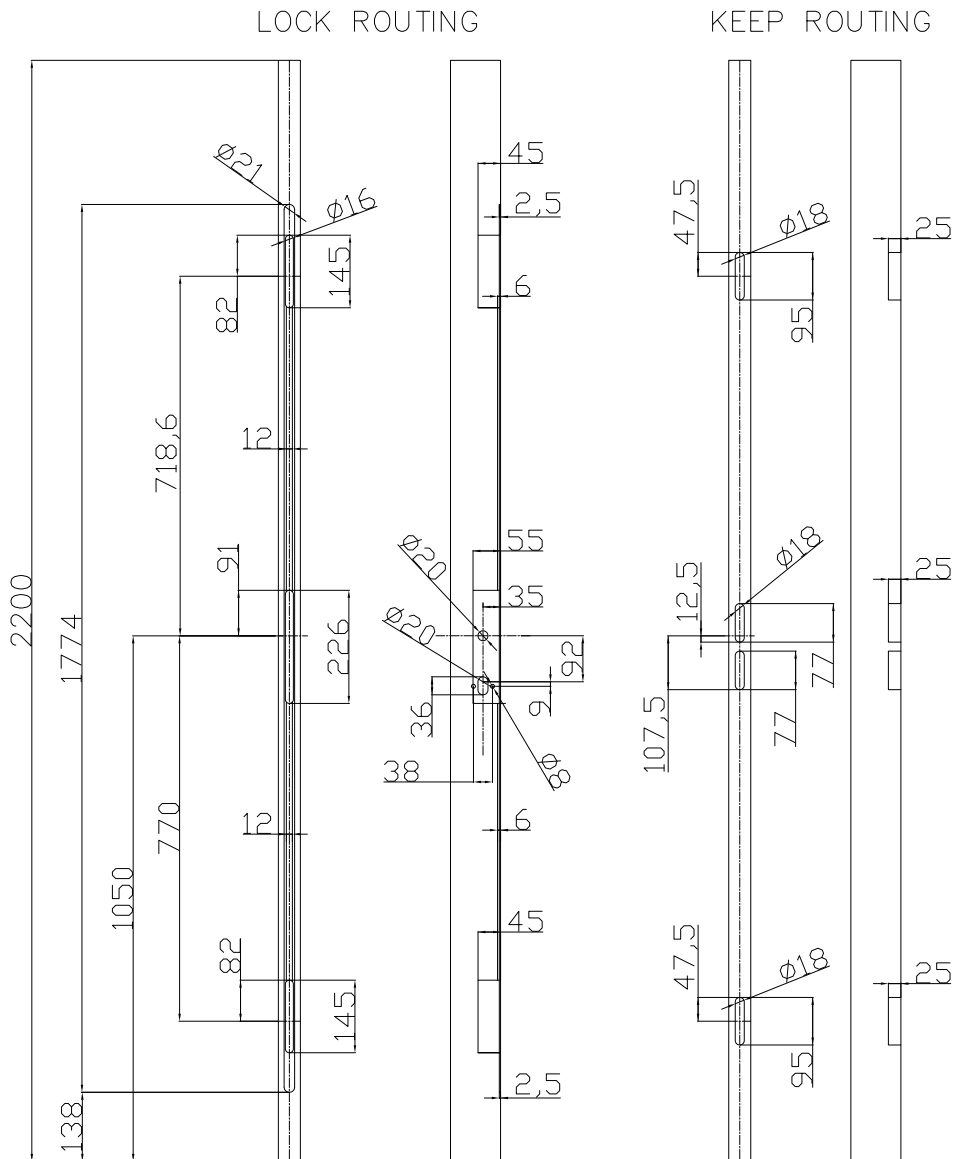


The world's favourite lock since 1843

# Routing Prep

## Yale Lockmaster AutoEngage

Classic multi-point lock - 35mm centre, 16mm faceplate



### Part Code:

- YAS1-3501-19
- PLK924-19
- PLK925-19
- PLK965-19
- AS3-K-C06

### Part Name:

- AutoEngage - Classic, 35mm centre, 16mm faceplate
- AutoEngage - Adjustable Centre Keep, Left Hand
- AutoEngage - Adjustable Centre Keep, Right Hand
- AutoEngage - Adjustable Security Latch Keep
- AutoEngage - Latch Keep End Packer



# Multi-point Door Locks

## Yale Lockmaster AutoEngage

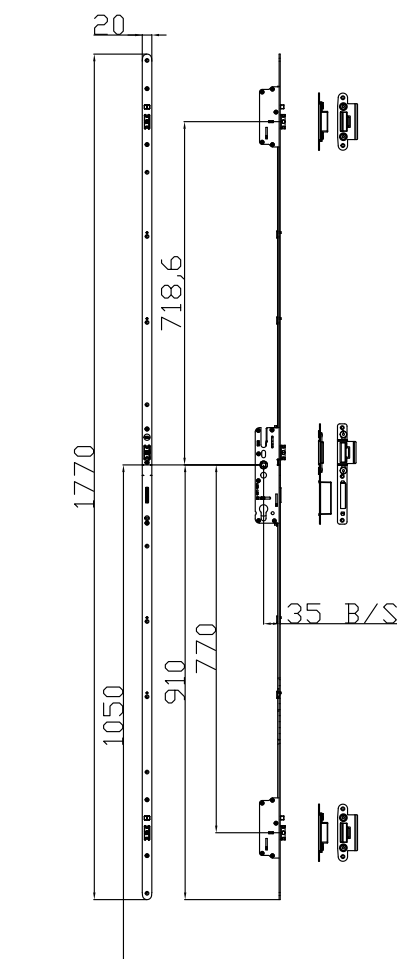
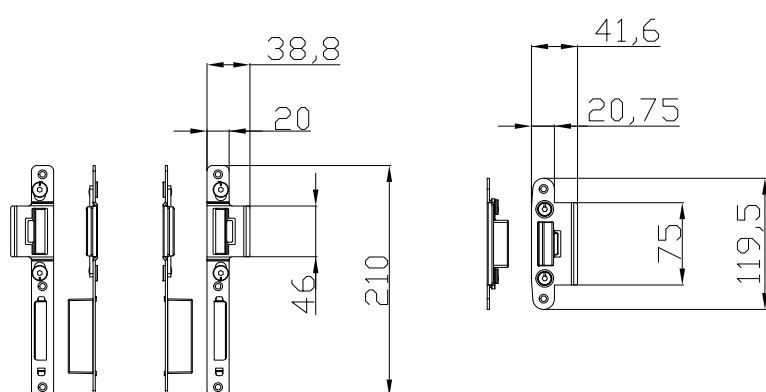
### Classic multi-point lock - 35mm centre, 20mm radius end faceplate

#### Features:

- Auto engage key retract locking mechanism
- Two security latches automatically fire upon closure offering 20mm deadbolt engagement
- Fully reversible security latches
- Central deadbolt provides independent security with a 20mm throw
- 35mm backset
- Suitable for composite and timber doors
- Designed to be compatible with a wide range of decorative furniture sets
- Yale branded
- 20mm radius end faceplate
- Mild steel and Austenitic 304 Stainless steel options available

#### Specification:

- PAS 24:2016 compliant
- BS EN 1670:2007 Grade 4 (240hrs. NSST)
- Tested to a minimum of 100,000 cycles
- 10 year mechanical guarantee
- Made in Britain
- Lifetime security guarantee when used with other Yale security hardware\*



#### Part Code:

YAS1-3502-19  
 PLK924-19  
 PLK925-19  
 PLK965-19  
 AS3-K-C06

#### Part Name:

AutoEngage - Classic, 35mm centre, 20mm radius end faceplate  
 AutoEngage - Adjustable Centre Keep, Left Hand  
 AutoEngage - Adjustable Centre Keep, Right Hand  
 AutoEngage - Adjustable Security Latch Keep  
 AutoEngage - Latch Keep End Packer

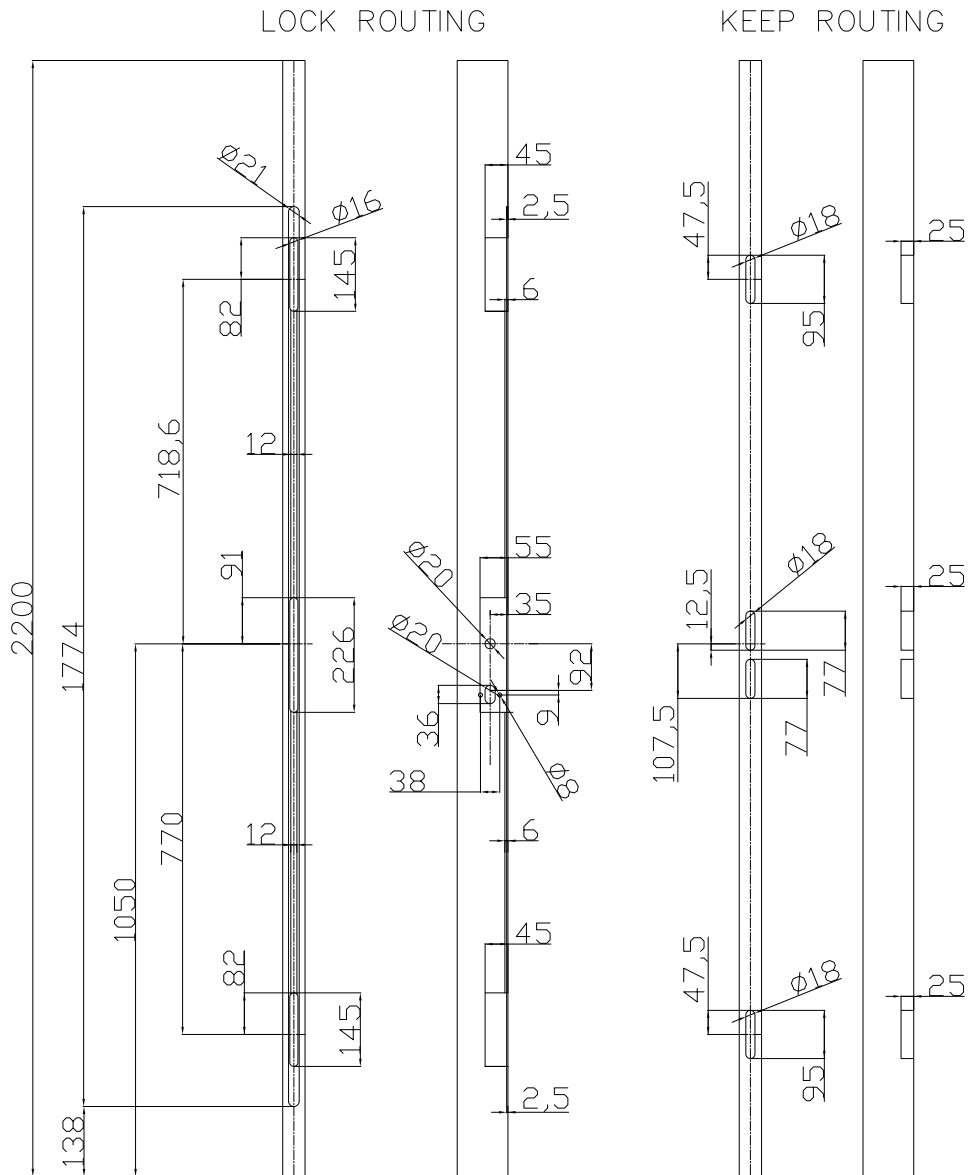


The world's favourite lock since 1843

# Routing Prep

## Yale Lockmaster AutoEngage

Classic multi-point lock - 35mm centre, 20mm radius end faceplate



### Part Code:

- YAS1-3502-19
- PLK924-19
- PLK925-19
- PLK965-19
- AS3-K-C06

### Part Name:

- AutoEngage - Classic, 35mm centre, 20mm radius end faceplate
- AutoEngage - Adjustable Centre Keep, Left Hand
- AutoEngage - Adjustable Centre Keep, Right Hand
- AutoEngage - Adjustable Security Latch Keep
- AutoEngage - Latch Keep End Packer



The world's favourite lock since 1843

# Multi-point Door Locks

## Yale Lockmaster AutoEngage

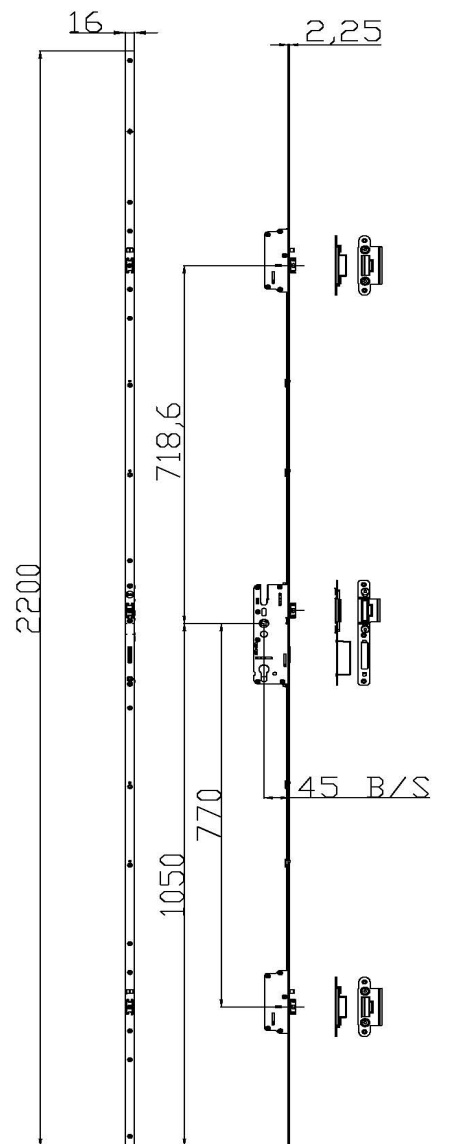
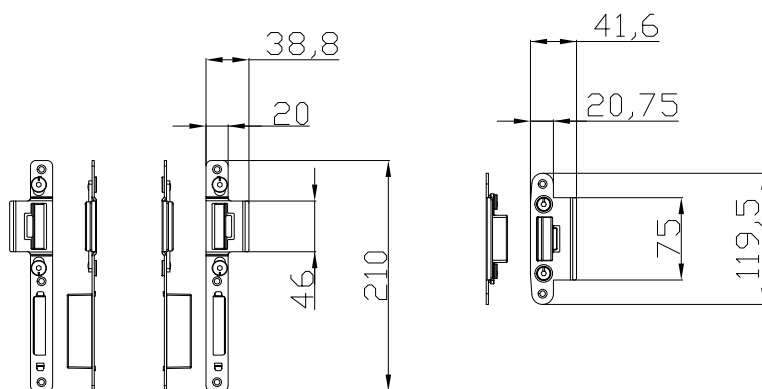
### Classic multi-point lock - 45mm centre, 16mm faceplate

#### Features:

- Auto engage key retract locking mechanism
- Two security latches automatically fire upon closure offering 20mm deadbolt engagement
- Fully reversible security latches
- Central deadbolt provides independent security with a 20mm throw
- 45mm backset
- Suitable for composite and timber doors
- Designed to be compatible with a wide range of decorative furniture sets
- Yale branded
- 16mm faceplate
- Mild steel and Austenitic 304 Stainless steel variants available

#### Specification:

- PAS 24:2016 compliant
- BS EN 1670:2007 Grade 4 (240hrs. NSST)
- Tested to a minimum of 100,000 cycles
- 10 year mechanical guarantee
- Made in Britain
- Lifetime security guarantee when used with other Yale security hardware\*



#### Part Code:

YAS1-4501-19  
 PLK924-19  
 PLK925-19  
 PLK965-19  
 AS3-K-C06

#### Part Name:

AutoEngage - Classic, 45mm centre, 16mm faceplate  
 AutoEngage - Adjustable Centre Keep, Left Hand  
 AutoEngage - Adjustable Centre Keep, Right Hand  
 AutoEngage - Adjustable Security Latch Keep  
 AutoEngage - Latch Keep End Packer



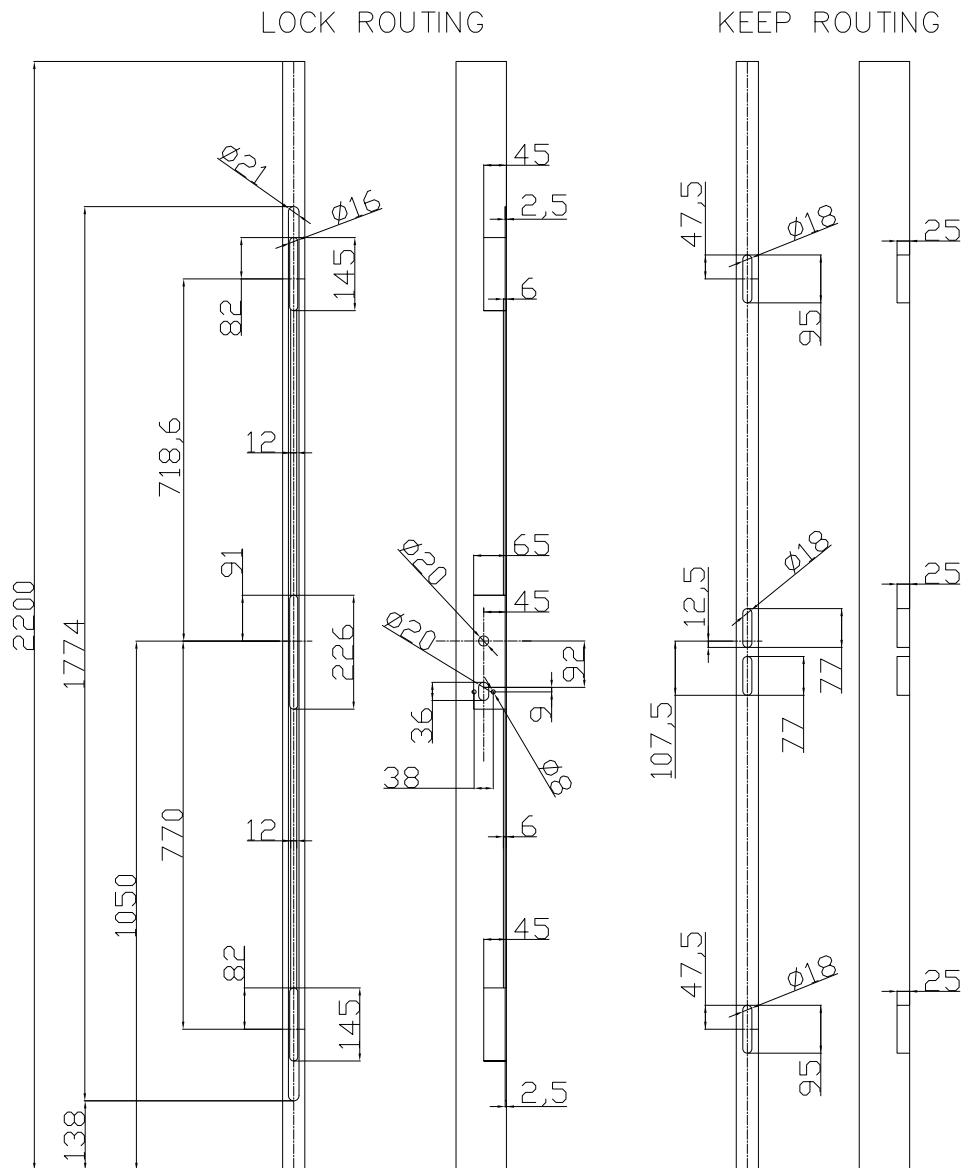


The world's favourite lock since 1843

# Routing Prep

## Yale Lockmaster AutoEngage

Classic multi-point lock - 45mm centre, 16mm faceplate



**Part Code:**

- YAS1-4501-19
- PLK924-19
- PLK925-19
- PLK965-19
- AS3-K-C06

**Part Name:**

- AutoEngage - Classic, 45mm centre, 16mm faceplate
- AutoEngage - Adjustable Centre Keep, Left Hand
- AutoEngage - Adjustable Centre Keep, Right Hand
- AutoEngage - Adjustable Security Latch Keep
- AutoEngage - Latch Keep End Packer



# Multi-point Door Locks

## Yale Lockmaster AutoEngage

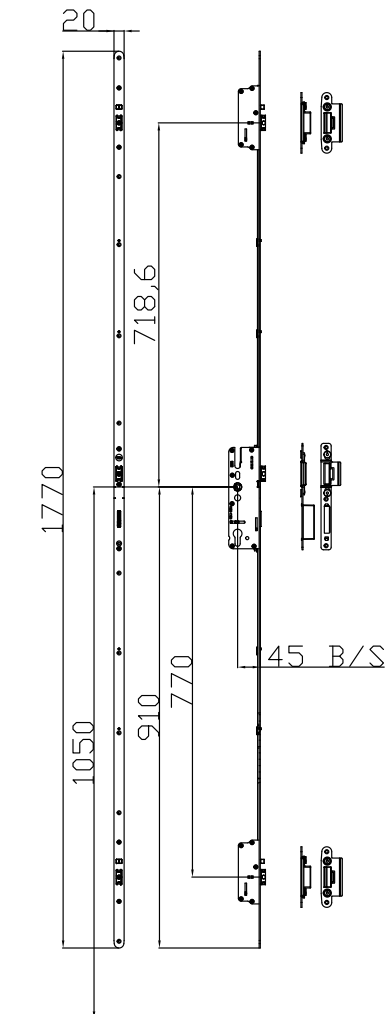
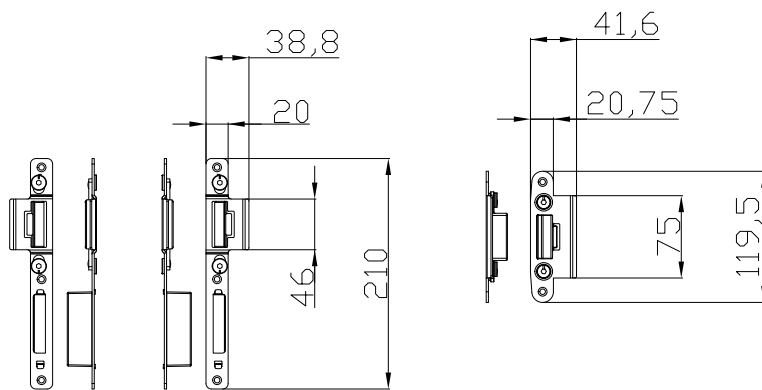
### Classic multi-point lock - 45mm centre, 20mm radius end faceplate

#### Features:

- Auto engage key retract locking mechanism
- Two security latches automatically fire upon closure offering 20mm deadbolt engagement
- Fully reversible security latches
- Central deadbolt provides independent security with a 20mm throw
- 45mm backset
- Suitable for composite and timber doors
- Designed to be compatible with a wide range of decorative furniture sets
- Yale branded
- 20mm radius end faceplate
- Mild steel and Austenitic 304 Stainless steel variants available

#### Specification:

- PAS 24:2016 compliant
- BS EN 1670:2007 Grade 4 (240hrs. NSST)
- Tested to a minimum of 100,000 cycles
- 10 year mechanical guarantee
- Made in Britain
- Lifetime security guarantee when used with other Yale security hardware\*



#### Part Code:

YAS1-4502-19  
 PLK924-19  
 PLK925-19  
 PLK965-19  
 AS3-K-C06

#### Part Name:

AutoEngage - Classic, 45mm centre, 20mm radius end faceplate  
 AutoEngage - Adjustable Centre Keep, Left Hand  
 AutoEngage - Adjustable Centre Keep, Right Hand  
 AutoEngage - Adjustable Security Latch Keep  
 AutoEngage - Latch Keep End Packer

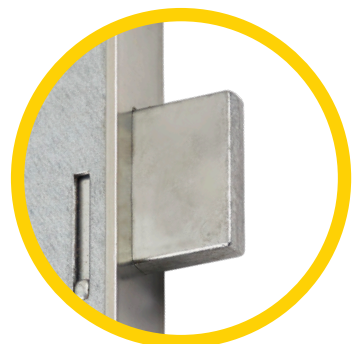
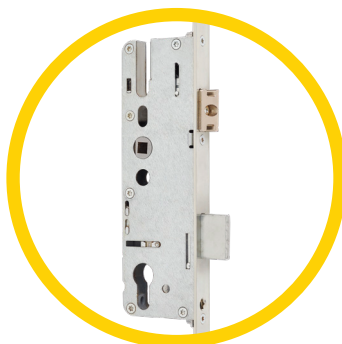
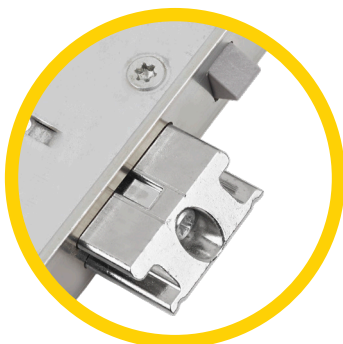




The world's favourite lock since 1843

# Yale Lockmaster AutoEngage

Heritage multi-point lock







The world's favourite lock since 1843

# Multi-point Door Locks

## Yale Lockmaster AutoEngage

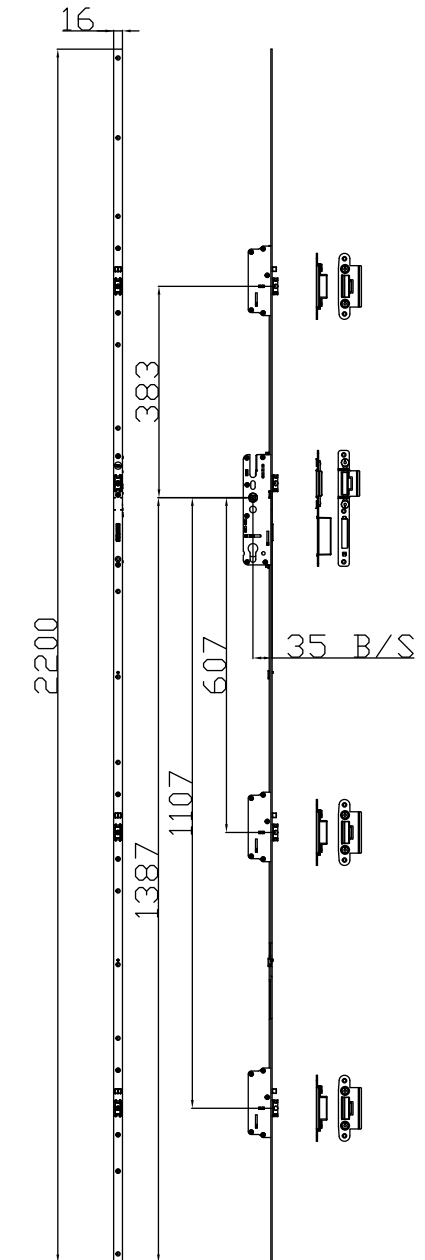
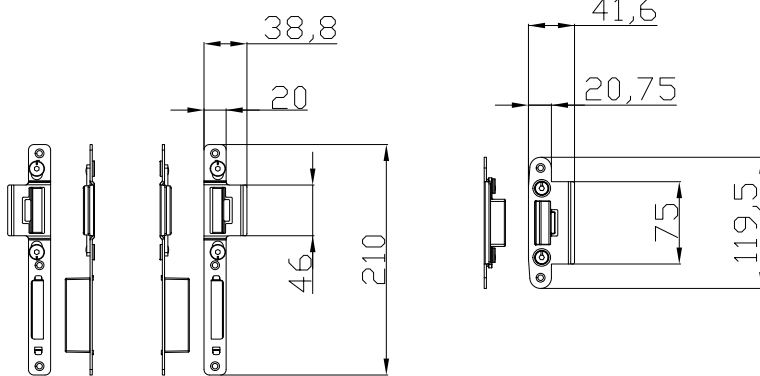
### Heritage multi-point lock - 35mm centre, 16mm faceplate

#### Features:

- Auto engage key retract locking mechanism
- Three security latches automatically fire upon closure offering 20mm deadbolt engagement
- Fully reversible security latches
- Central deadbolt provides independent security with a 20mm throw
- 35mm backset
- Suitable for composite and timber doors
- Designed to be compatible with a wide range of decorative furniture sets
- Yale branded
- 16mm faceplate
- Mild steel and Austenitic 304 stainless steel variants available

#### Specification:

- PAS 24:2016 compliant
- BS EN 1670:2007 Grade 4 (240hrs. NSST)
- Tested to a minimum of 100,000 cycles
- 10 year mechanical guarantee
- Made in Britain
- Lifetime security guarantee when used with other Yale security hardware\*



#### Part Code:

YAS1-3503-19  
 PLK924-19  
 PLK925-19  
 PLK965-19  
 AS3-K-C06

#### Part Name:

AutoEngage - Heritage, 35mm centre, 16mm faceplate  
 AutoEngage - Adjustable Centre Keep, Left Hand  
 AutoEngage - Adjustable Centre Keep, Right Hand  
 AutoEngage - Adjustable Security Latch Keep  
 AutoEngage - Latch Keep End Packer





# Multi-point Door Locks

## Yale Lockmaster AutoEngage

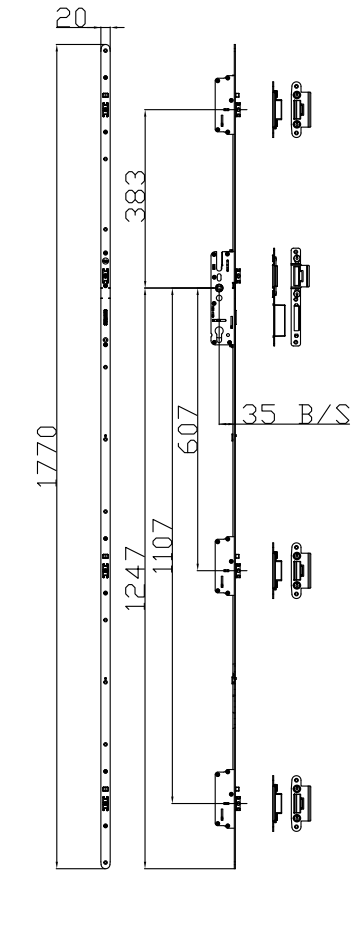
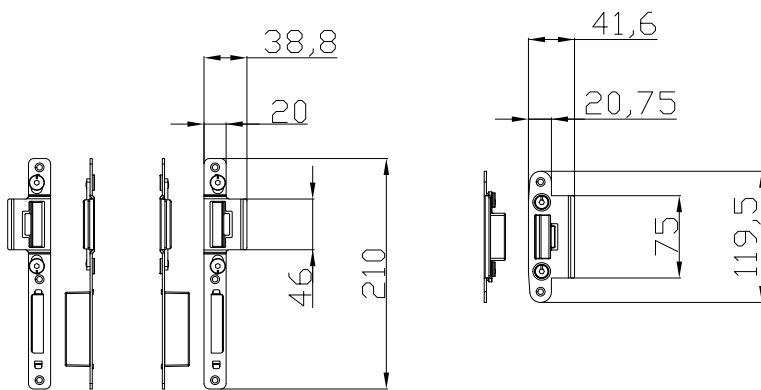
### Heritage multi-point lock - 35mm centre, 20mm radius end faceplate

#### Features:

- Auto engage key retract locking mechanism
- Three security latches automatically fire upon closure offering 20mm deadbolt engagement
- Fully reversible security latches
- Central deadbolt provides independent security with a 20mm throw
- 35mm backset
- Suitable for composite and timber doors
- Designed to be compatible with a wide range of decorative furniture sets
- Yale branded
- 20mm radius end faceplate
- Mild steel and Austenitic 304 stainless steel variants available

#### Specification:

- PAS 24:2016 compliant
- BS EN 1670:2007 Grade 4 (240hrs. NSST)
- Tested to a minimum of 100,000 cycles
- 10 year mechanical guarantee
- Made in Britain
- Lifetime security guarantee when used with other Yale security hardware\*



#### Part Code:

- YAS1-3504-19
- PLK924-19
- PLK925-19
- PLK965-19
- AS3-K-C06

#### Part Name:

- AutoEngage - Heritage, 35mm centre, 20mm radius end faceplate
- AutoEngage - Adjustable Centre Keep, Left Hand
- AutoEngage - Adjustable Centre Keep, Right Hand
- AutoEngage - Adjustable Security Latch Keep
- AutoEngage - Latch Keep End Packer







The world's favourite lock since 1843

# Multi-point Door Locks

## Yale Lockmaster AutoEngage

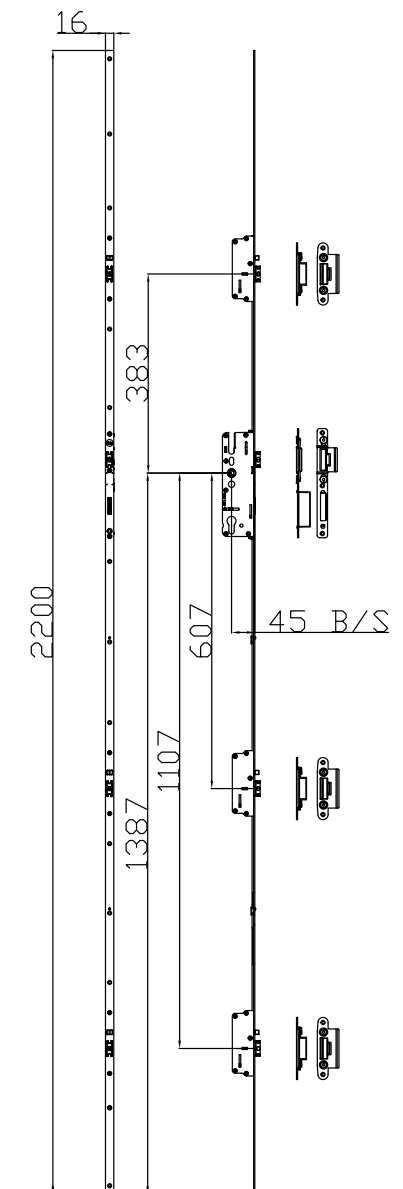
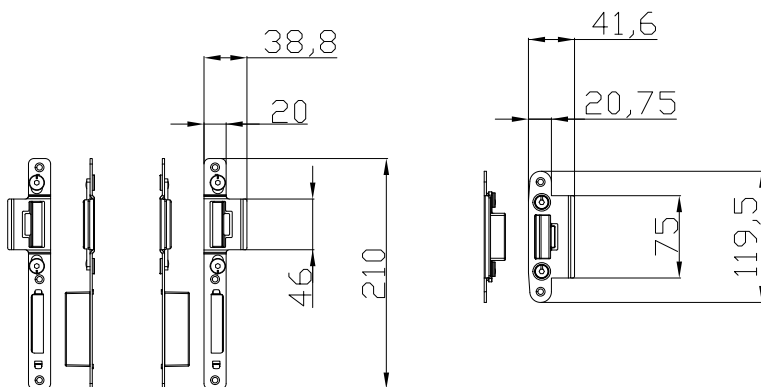
### Heritage multi-point lock - 45mm centre, 16mm faceplate

#### Features:

- Auto engage key retract locking mechanism
- Three security latches automatically fire upon closure offering 20mm deadbolt engagement
- Fully reversible security latches
- Central deadbolt provides independent security with a 20mm throw
- 45mm backset
- Suitable for composite and timber doors
- Designed to be compatible with a wide range of decorative furniture sets
- Yale branded
- 16mm faceplate
- Mild steel and Austenitic 304 stainless steel variants available

#### Specification:

- PAS 24:2016 compliant
- BS EN 1670:2007 Grade 4 (240hrs. NSST)
- Tested to a minimum of 100,000 cycles
- 10 year mechanical guarantee
- Made in Britain
- Lifetime security guarantee when used with other Yale security hardware\*



#### Part Code:

YAS1-4503-19  
 PLK924-19  
 PLK925-19  
 PLK965-19  
 AS3-K-C06

#### Part Name:

AutoEngage - Heritage, 45mm centre, 16mm faceplate  
 AutoEngage - Adjustable Centre Keep, Left Hand  
 AutoEngage - Adjustable Centre Keep, Right Hand  
 AutoEngage - Adjustable Security Latch Keep  
 AutoEngage - Latch Keep End Packer

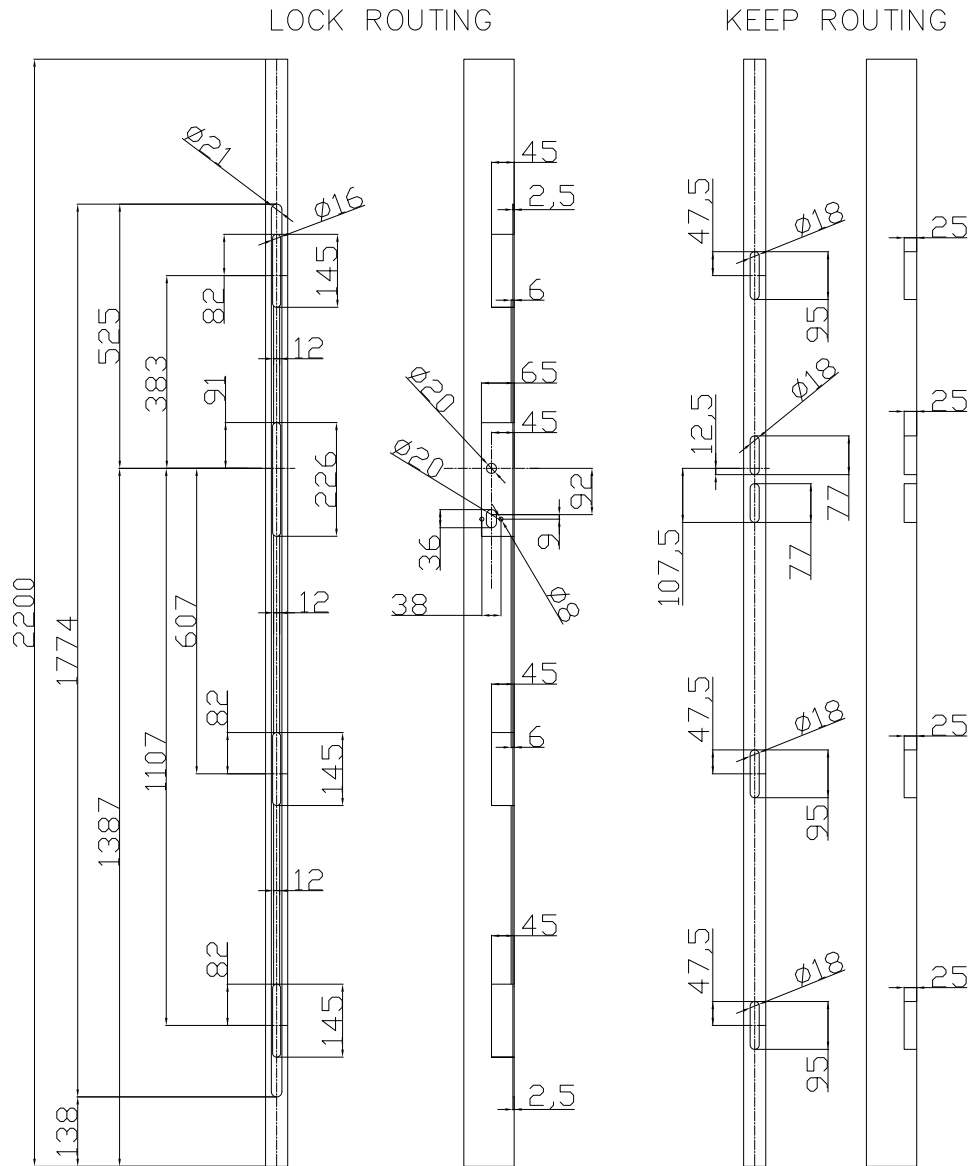


The world's favourite lock since 1843

# Routing Prep

## Yale Lockmaster AutoEngage

### Heritage multi-point lock - 45mm centre, 16mm faceplate



**Part Code:**

- YAS1-4503-19
- PLK924-19
- PLK925-19
- PLK965-19
- AS3-K-C06

**Part Name:**

- AutoEngage - Heritage, 45mm centre, 16mm faceplate
- AutoEngage - Adjustable Centre Keep, Left Hand
- AutoEngage - Adjustable Centre Keep, Right Hand
- AutoEngage - Adjustable Security Latch Keep
- AutoEngage - Latch Keep End Packer



The world's favourite lock since 1843

# Multi-point Door Locks

## Yale Lockmaster AutoEngage

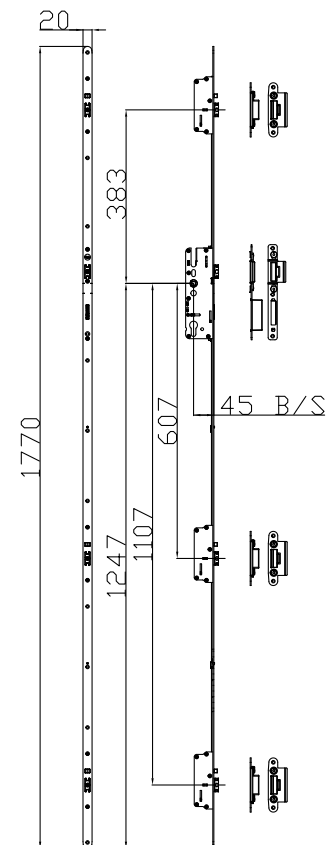
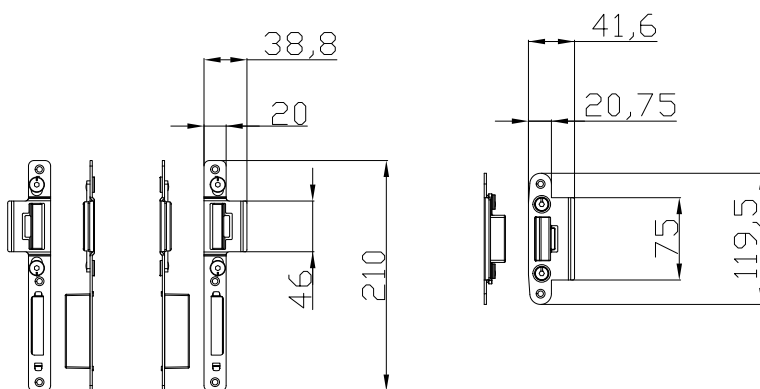
### Heritage multi-point lock - 45mm centre, 20mm radius end faceplate

#### Features:

- Auto engage key retract locking mechanism
- Three security latches automatically fire upon closure offering 20mm deadbolt engagement
- Fully reversible security latches
- Central deadbolt provides independent security with a 20mm throw
- 45mm backset
- Suitable for composite and timber doors
- Designed to be compatible with a wide range of decorative furniture sets
- Yale branded
- 20mm radius end faceplate
- Mild steel and Austenitic 304 stainless steel variants available

#### Specification:

- PAS 24:2016 compliant
- BS EN 1670:2007 Grade 4 (240hrs. NSST)
- Tested to a minimum of 100,000 cycles
- 10 year mechanical guarantee
- Made in Britain
- Lifetime security guarantee when used with other Yale security hardware\*



#### Part Code:

YAS1-4504-19  
 PLK924-19  
 PLK925-19  
 PLK965-19  
 AS3-K-C06

#### Part Name:

AutoEngage - Heritage, 45mm centre, 20mm radius end faceplate  
 AutoEngage - Adjustable Centre Keep, Left Hand  
 AutoEngage - Adjustable Centre Keep, Right Hand  
 AutoEngage - Adjustable Security Latch Keep  
 AutoEngage - Latch Keep End Packer

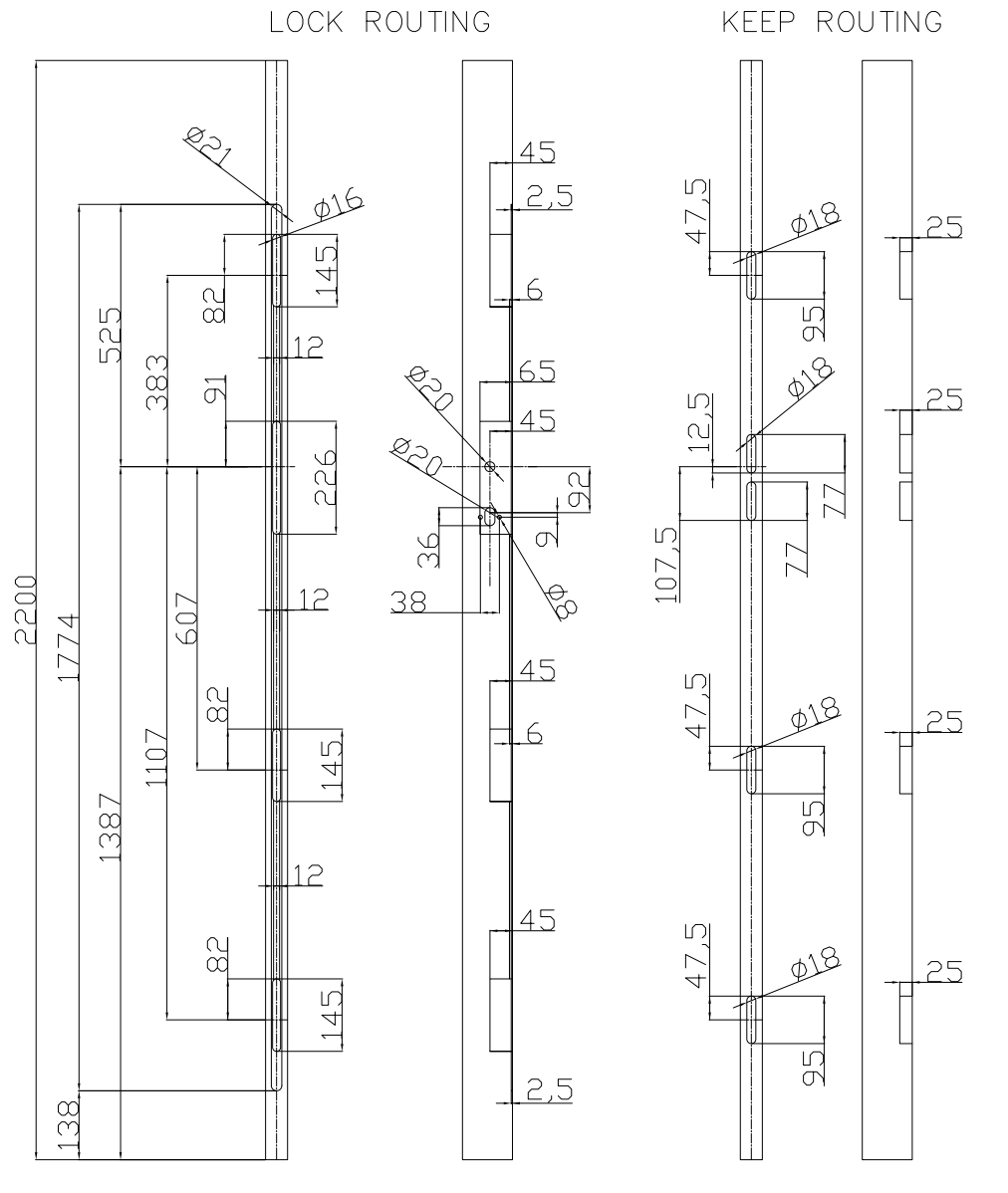


The world's favourite lock since 1843

# Routing Prep

## Yale Lockmaster AutoEngage

### Heritage multi-point lock - 45mm centre, 20mm radius end faceplate



**Part Code:**

- YAS1-4504-19
- PLK924-19
- PLK925-19
- PLK965-19
- AS3-K-C06

**Part Name:**

- AutoEngage - Heritage, 45mm centre, 20mm radius end faceplate
- AutoEngage - Adjustable Centre Keep, Left Hand
- AutoEngage - Adjustable Centre Keep, Right Hand
- AutoEngage - Adjustable Security Latch Keep
- AutoEngage - Latch Keep End Packer



The world's favourite lock since 1843

# Platinum 3 Star Euro Profile Cylinder

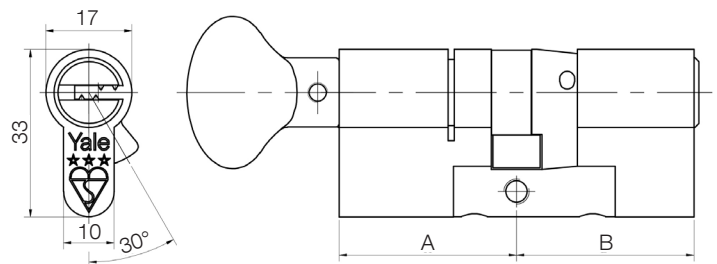
## Features:

- Anti-snap, anti-pick, anti-bump, anti-drill and anti-screw cylinder range
- Sacrificial external side to defend against snap attacks
- Advanced multi-pin mechanism
- BSI approved re-pinning available with kitemark accreditation
- Yale branded
- Available in Brass, Chrome and Black finishes

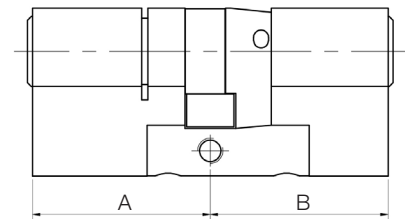
## Specification:

- KM 559658
- TS007:2014 3 star accredited
- Secured by Design accredited
- 10 year mechanical guarantee
- BS EN 1303:2015 approved

### Thumbturn Cylinder



### Double Cylinder



## Part Code:

- YS3-3535BT
- YS3-3535BT-TH
- YS3-3535NKAT
- YS3-3535NT
- YS3-3535NT-TH
- YS3-4040BKAT
- YS3-4040BT
- YS3-4040NKAT
- YS3-4040NT

## Part Name:

- Platinum Cylinder Thumbturn 3-Star 35/35 Brass K/D 3 Keys
- Platinum Cylinder Thumbturn 3-Star 35/35 Brass K/D 3 Keys
- 20 x Platinum Cylinder Thumbturn 3-Star 35/35 Nickel K/A 3 Keys
- Platinum Cylinder Thumbturn 3-Star 35/35 Nickel K/D 3 Keys
- Platinum Cylinder Thumbturn 3-Star 35/35 Nickel K/D 3 Keys
- 20 x Platinum Cylinder Thumbturn 3-Star 40/40 Brass K/A 3 Keys
- Platinum Cylinder Thumbturn 3-Star 40/40 Brass K/D 3 Keys
- 20 x Platinum Cylinder Thumbturn 3-Star 40/40 Nickel K/A 3 Keys
- Platinum Cylinder Thumbturn 3-Star 40/40 Nickel K/D 3 Keys



# Platinum 3 Star Euro Profile Cylinder

## Part Code:

YS3-3535B  
YS3-3535B-5K  
YS3-3535BK  
YS3-3535BKA  
YS3-3535BPA  
YS3-3535B-TH  
YS3-3535N  
YS3-3535N-5K  
YS3-3535NKA  
YS3-3535NPA  
YS3-3535N-TH  
YS3-3535SBK  
YS3-4040B  
YS3-4040B-5K  
YS3-4040BK  
YS3-4040BKA  
YS3-4040BPA  
YS3-4040B-TH  
YS3-4040N  
YS3-4040N-5K  
YS3-4040NKA  
YS3-4040NPA  
YS3-4040N-TH  
YS3-4040SBK

## Part Name:

Platinum Cylinder Double 3-Star 35/35 Brass K/D 3 Keys  
Platinum Cylinder Double 3-Star 35/35 Brass K/D 5 Keys  
Platinum Cylinder Double 3-Star 35/35 Black K/D 3 Keys  
20 x Platinum Cylinder Double 3-Star 35/35 Brass K/A 3 Keys  
2 x Platinum Cylinder Double 3-Star 35/35 Brass P/A 3 Keys  
Platinum Cylinder Double 3-Star 35/35 Brass K/D 3 Keys  
Platinum Cylinder Double 3-Star 35/35 Nickel K/D 3 Keys  
Platinum Cylinder Double 3-Star 35/35 Nickel K/D 5 Keys  
20 x Platinum Cylinder Double 3-Star 35/35 Nickel K/A 5 Keys  
2 x Platinum Cylinder Double 3-Star 35/35 Nickel P/A 3 Keys  
Platinum Cylinder Double 3-Star 35/35 Nickel K/D 3 Keys  
Platinum Cylinder Double 3-Star 35/35 Satin Black K/D 3 Keys  
Platinum Cylinder Double 3-Star 40/40 Brass K/D 3 Keys  
Platinum Cylinder Double 3-Star 40/40 Brass K/D 5 Keys  
Platinum Cylinder Double 3-Star 40/40 Black K/D 3 Keys  
20 x Platinum Cylinder Double 3-Star 40/40 Brass K/A 3 Keys  
2 x Platinum Cylinder Double 3-Star 40/40 Brass P/A 3 Keys  
Platinum Cylinder Double 3-Star 40/40 Brass K/D 3 Keys  
Platinum Cylinder Double 3-Star 40/40 Nickel K/D 3 Keys  
Platinum Cylinder Double 3-Star 40/40 Nickel K/D 5 Keys  
20 x Platinum Cylinder Double 3-Star 40/40 Nickel K/A 3 Keys  
2 x Platinum Cylinder Double 3-Star 40/40 Nickel P/A 3 Keys  
Platinum Cylinder Double 3-Star 40/40 Nickel K/D 3 Keys  
Platinum Cylinder Double 3-Star 40/40 Satin Black K/D 3 Keys

**Note: Other sizes available on request**



The world's favourite lock since 1843

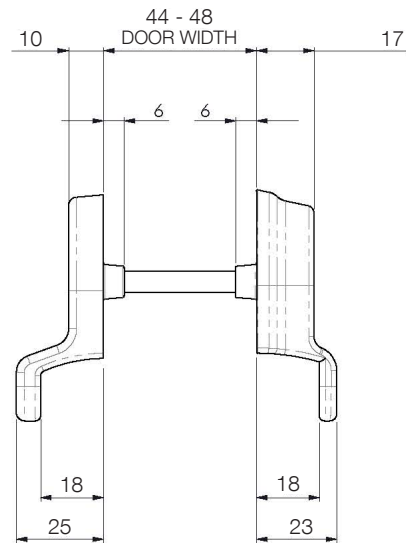
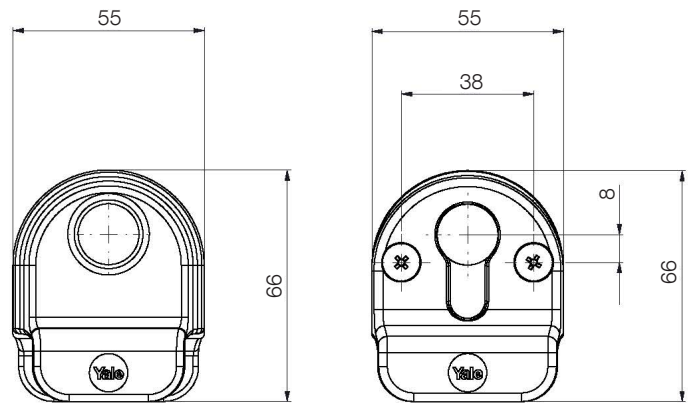
# Platinum 2 Star High Security Cylinder Pull

## Features:

- Sacrificial breakpoint defends against common attack methods
- Designed to achieve a traditional townhouse door style or enhance a modern door set
- Available in PVD Chrome, PVD Brass and Satin Chrome finishes
- For use on timber and composite doors
- Yale branded
- 38mm fixing centres

## Specification:

- KM 559658
- TS007 2 Star accredited
- BS EN 1670:2007 Grade 5 (480hrs. NSST)
- Document Q approved when used as part of a PAS 24:2016 door set
- 10 year mechanical guarantee



## Part Code:

- YLKTCP-CH
- YLKTCP-PB
- YLKTCP-SC

## Part Name:

- Yale Lockmaster Keyturn Cylinder Pull Chrome
- Yale Lockmaster Keyturn Cylinder Pull Brass
- Yale Lockmaster Keyturn Cylinder Pull Satin Chrome



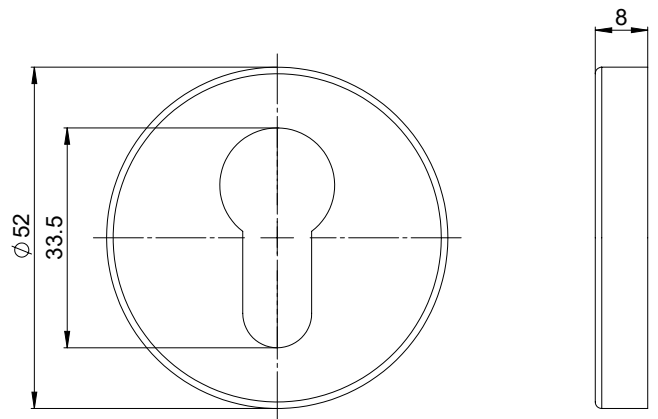
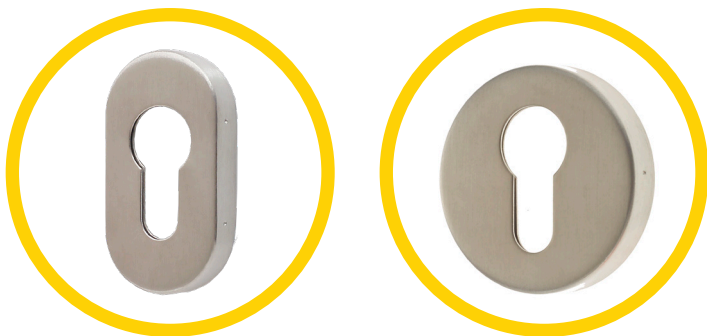
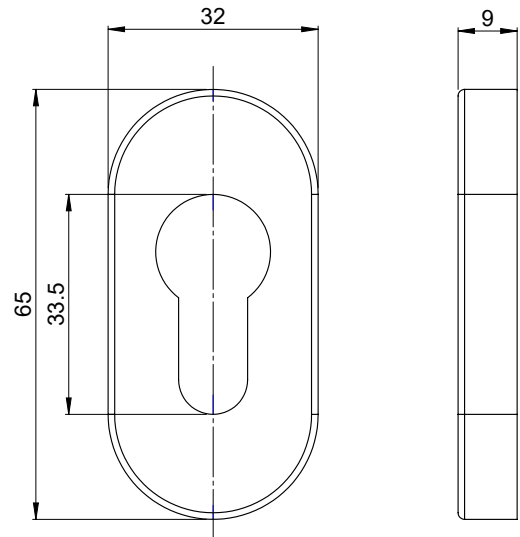
# Elite Escutcheon

## Features:

- Suits perfectly with Elite Stainless Steel furniture for a totally coordinated, modern door style
- Produced from 1.2mm material thickness
- The Elite Escutcheon consists of an SS201 inner complete with screw fixings (standard screws supplied) and a 316 Stainless Steel cover for a concealed fix application
- Available in oval and circular options

## Specification:

- 316 Brushed Stainless Steel
- BS EN 1670:2007 Grade 5 (480hrs. NSST)
- 25 year anti-corrosion guarantee
- 10 year mechanical guarantee



## Part Code:

10E001  
1CE001

## Part Name:

Oval Escutcheon  
Circular Escutcheon





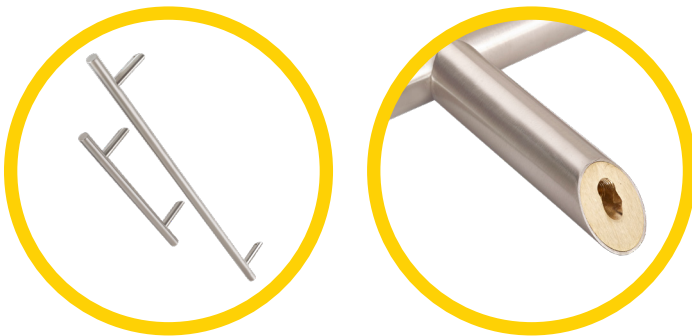
# Elite Pull Bar Handle

### Features:

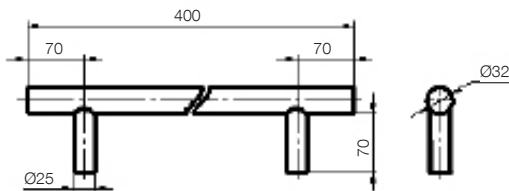
- Suites perfectly with Elite Stainless Steel furniture for a totally coordinated, modern door style
- Inline and cranked options available in varying lengths
- Choice of fixing methods available:
  - Back to back - one pull handle both sides of the door
  - Bolt fixing - one pull handle with cover caps on the opposite side of the door
- Produced from 1.2mm material thickness
- Fixing pegs supplied with a machined brass insert as standard
- M8 bolt has the option of a clear washer to protect the door face
- Available in sizes 300-1800mm

### Specification:

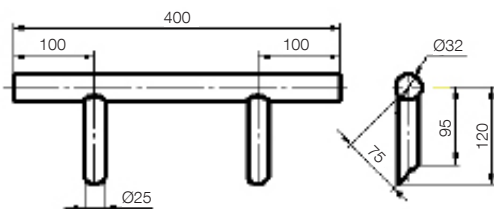
- 316 Brushed Stainless Steel
- BS EN 1670:2007 Grade 5 (480hrs. NSST)
- 25 year anti-corrosion guarantee
- 10 year mechanical guarantee



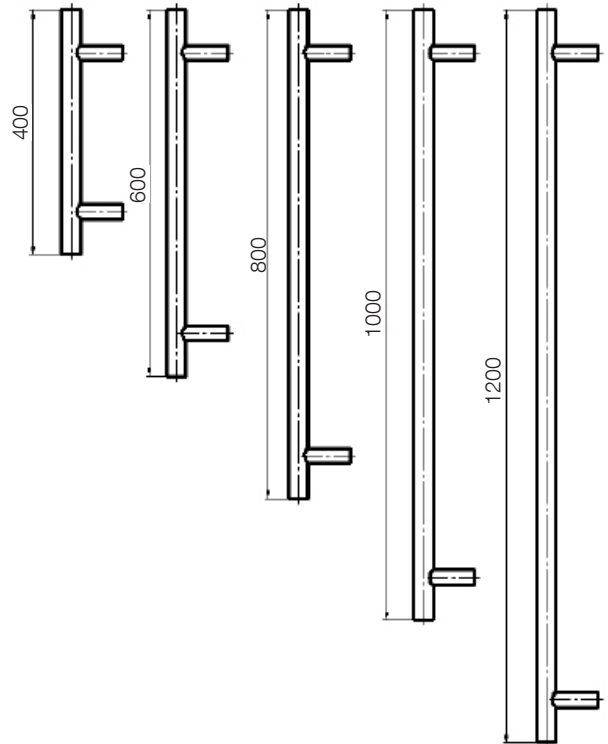
Typical Inline Dimensional Layout



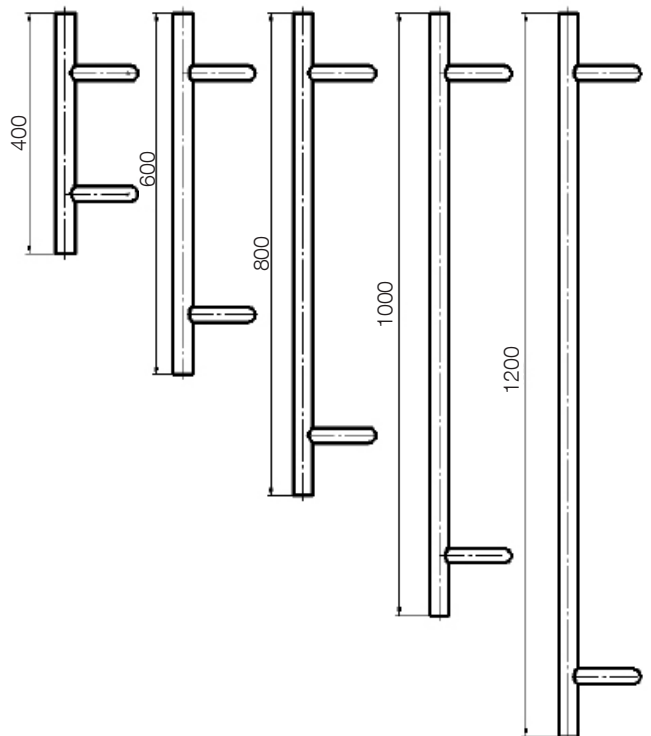
Typical Cranked Dimensional Layout



Inline Line Drawing



Cranked Line Drawing





# Elite Pull Bar Handle

## Part Code:

## Part Name:

### Bars

1TBH000-BS	300mm Inline Pull Bar Paired Handle Brushed Steel
1TBH001-BS	400mm Inline Pull Bar Paired Handle Brushed Steel
1TBH002-BS	600mm Inline Pull Bar Paired Handle Brushed Steel
1TBH003-BS	800mm Inline Pull Bar Paired Handle Brushed Steel
1TBH004-BS	1000mm Inline Pull Bar Paired Handle Brushed Steel
1TBH005-BS	1200mm Inline Pull Bar Paired Handle Brushed Steel
1TBH006-BS	1500mm Inline Pull Bar Paired Handle Brushed Steel
1TBH007-BS	1800mm Inline Pull Bar Paired Handle Brushed Steel
2TBH000-BS	300mm Inline Pull Bar Single Handle Brushed Steel
2TBH001-BS	400mm Inline Pull Bar Single Handle Brushed Steel
2TBH002-BS	600mm Inline Pull Bar Single Handle Brushed Steel
2TBH003-BS	800mm Inline Pull Bar Single Handle Brushed Steel
2TBH004-BS	1000mm Inline Pull Bar Single Handle Brushed Steel
2TBH005-BS	1200mm Inline Pull Bar Single Handle Brushed Steel
2TBH006-BS	1500mm Inline Pull Bar Single Handle Brushed Steel
2TBH007-BS	1800mm Inline Pull Bar Single Handle Brushed Steel
3TBH000-BS	300mm Cranked Pull Bar Paired Handle Brushed Steel
3TBH001-BS	400mm Cranked Pull Bar Paired Handle Brushed Steel
3TBH002-BS	600mm Cranked Pull Bar Paired Handle Brushed Steel
3TBH003-BS	800mm Cranked Pull Bar Paired Handle Brushed Steel
3TBH004-BS	1000mm Cranked Pull Bar Paired Handle Brushed Steel
3TBH005-BS	1200mm Cranked Pull Bar Paired Handle Brushed Steel
3TBH006-BS	1500mm Cranked Pull Bar Paired Handle Brushed Steel
3TBH007-BS	1800mm Cranked Pull Bar Paired Handle Brushed Steel
4TBH000-BS	300mm Cranked Pull Bar Single Handle Brushed Steel
4TBH001-BS	400mm Cranked Pull Bar Single Handle Brushed Steel
4TBH002-BS	600mm Cranked Pull Bar Single Handle Brushed Steel
4TBH003-BS	800mm Cranked Pull Bar Single Handle Brushed Steel
4TBH004-BS	1000mm Cranked Pull Bar Single Handle Brushed Steel
4TBH005-BS	1200mm Cranked Pull Bar Single Handle Brushed Steel
4TBH006-BS	1500mm Cranked Pull Bar Single Handle Brushed Steel
4TBH007-BS	1800mm Cranked Pull Bar Single Handle Brushed Steel



# Elite Pull Bar Handle

## Part Code:

## Part Name:

### Fixing Kits

KIT-BFIX001	Inline Bolt Fixing Kit 400-1200mm Composite Single
KIT-BFIX002	Inline Bolt Fixing Kit 1500-1800mm Composite Single
KIT-BFIX003	Cranked Bolt Fixing Kit 400-1200mm Composite Single
KIT-BFIX004	Cranked Bolt Fixing Kit 1500-1800mm Composite Single
KIT-BFIX005	Inline Bolt Fixing Kit 400-1200mm UPVC Single
KIT-BFIX006	Cranked Bolt Fixing Kit 400-1200mm UPVC Single
KIT-BFIX007	Inline Bolt Fixing Kit 1500-1800mm UPVC Single
KIT-BFIX008	Cranked Bolt Fixing Kit 1500-1800mm UPVC Single
KIT-BTB001	Inline Back to Back Fixing Kit 400-1200mm Composite Paired
KIT-BTB002	Inline Back to Back Fixing Kit 1500-1800mm Composite Paired
KIT-BTB003	Cranked Back to Back Fixing Kit 400-1200mm Composite Paired
KIT-BTB004	Cranked Back to Back Fixing Kit 1500-1800mm Composite Paired
KIT-BTB005	Inline Back to Back Fixing Kit 400-1200mm UPVC Paired
KIT-BTB006	Cranked Back to Back Fixing Kit 400-1200mm UPVC Paired
KIT-BTB007	Inline Back to Back Fixing Kit 1500-1800mm UPVC Paired
KIT-BTB008	Cranked Back to Back Fixing Kit 1500-1800mm UPVC Paired



The world's favourite lock since 1843

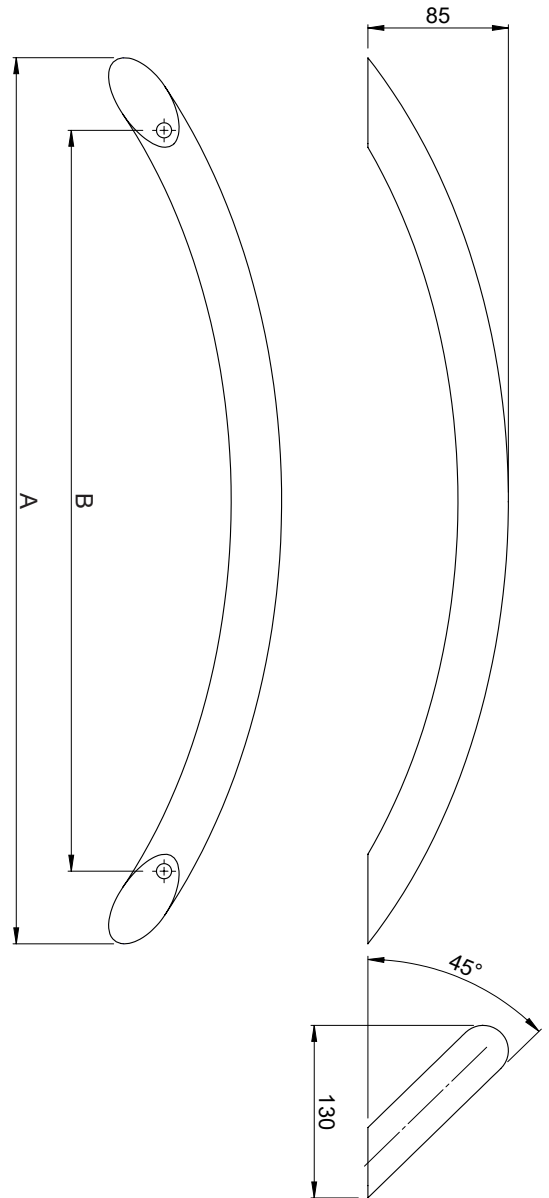
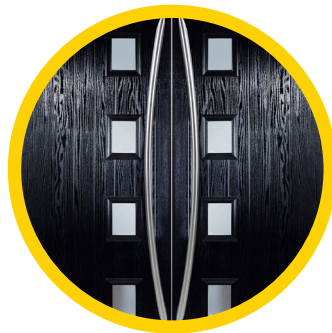
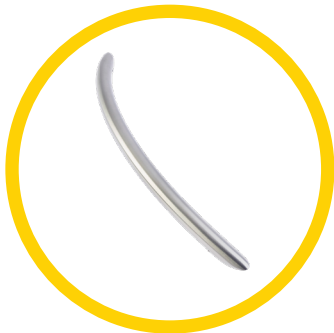
# Elite Contemporary Bow Pull Handle

## Features:

- Suits perfectly with Elite Stainless Steel furniture for a totally coordinated, modern door style
- Choice of fixing methods available:
  - Back to back - one pull handle both sides of the door
  - Bolt fixing - one pull handle with cover caps on the opposite side of the door
- Produced from 1.2mm material thickness
- Fixing pegs supplied with a machined brass insert as standard
- M8 bolt has the option of a clear washer to protect the door face

## Specification:

- 316 Brushed Stainless Steel
- BS EN 1670:2007 Grade 5 (480hrs. NSST)
- 25 year anti-corrosion guarantee
- 10 year mechanical guarantee



## Part Code:

1BOW625BFIX  
 1BOW625BTB  
 2BOW1200BFIX  
 2BOW1200BTB

## Part Name:

625/500mm Bow Handle Single  
 625/500mm Bow Handle Pair  
 1200/975mm Bow Handle Single  
 1200/975mm Bow Handle Pair



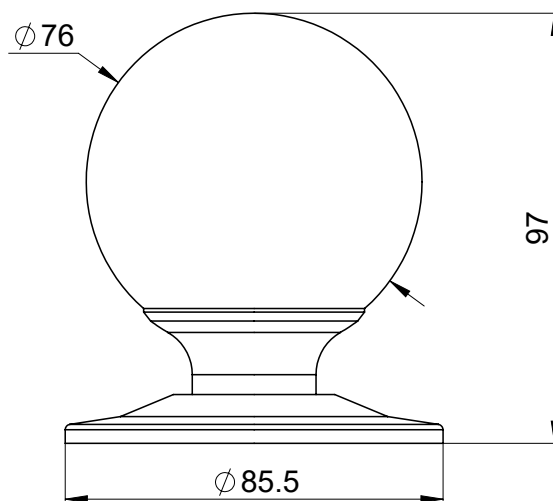
# Elite Central Knob

## Features:

- Suites perfectly with Elite Stainless Steel furniture for a totally coordinated, modern door style
- 76mm Central Knob
- Fixing method - screw the M8 bolt (high grade Stainless Steel) directly into the tapped hole on the base of the central knob
- Fixing available to support PVCu and composite doors
- M8 bolt has the option of a clear washer to protect the door face

## Specification:

- 316 Brushed Stainless Steel
- BS EN 1670:2007 Grade 5 (480hrs. NSST)
- 25 year anti-corrosion guarantee
- 10 year mechanical guarantee



## Part Code:

1CK001  
KIT-CK001

## Part Name:

Central 76mm Stainless Steel Knob  
Central Knob Fixing Kit



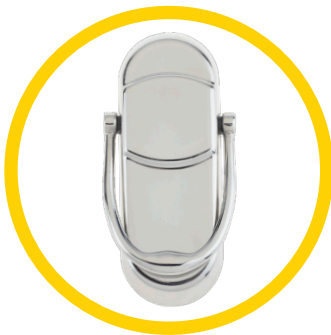
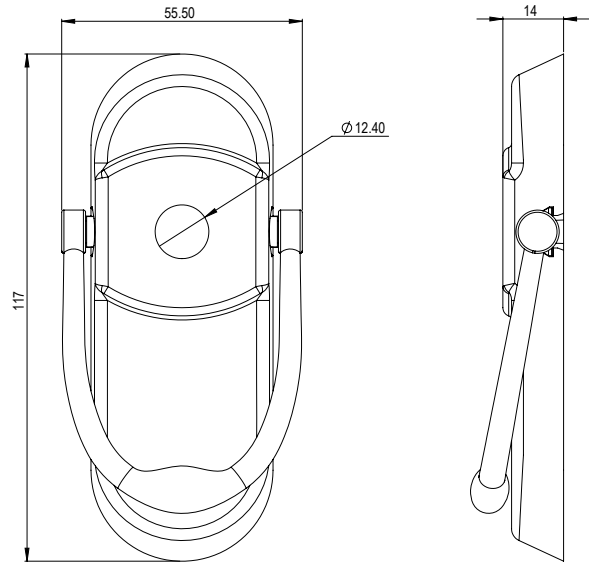
# Contemporary Door Knocker

### Features:

- Suites perfectly with Elite Stainless Steel furniture for a totally coordinated, modern door style
- Knockers are face fixed eliminating the need to drill through the door
- Quick installation
- All knockers are available in a full choice of finishes including Polished/Brushed Gold (PVD), Polished/Brushed Stainless, White and Black
- Available with and without spyhole

### Specification:

- 304 Stainless Steel
- 25 year anti-corrosion guarantee available on all Stainless Steel product finishes
- 10 year mechanical guarantee



### Part Code:

- 0716-2001-BK
- 0716-2001-BS
- 0716-2001-CH
- 0716-2001-GO
- 0716-2001-SS
- 0716-2001-WH
- 0716-2002-BK
- 0716-2002-BS
- 0716-2002-CH
- 0716-2002-GO
- 0716-2002-SS
- 0716-2002-WH

### Part Name:

- Contemporary Knocker No Spyhole Black
- Contemporary Knocker No Spyhole Brushed Stainless
- Contemporary Knocker No Spyhole Chrome
- Contemporary Knocker No Spyhole Gold
- Contemporary Knocker No Spyhole Satin Silver
- Contemporary Knocker No Spyhole White
- Contemporary Knocker with Spyhole Black
- Contemporary Knocker with Spyhole Brushed Stainless
- Contemporary Knocker with Spyhole Chrome
- Contemporary Knocker with Spyhole Gold
- Contemporary Knocker with Spyhole Satin Silver
- Contemporary Knocker with Spyhole White



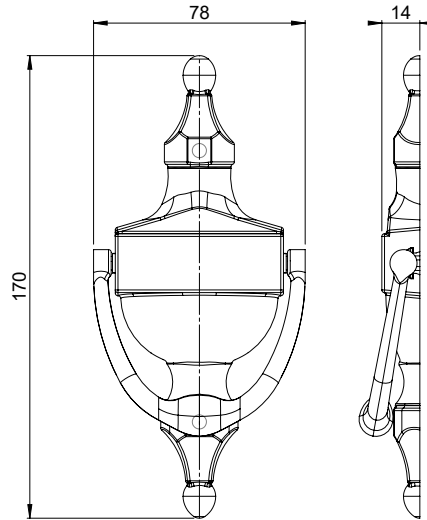
# Traditional Door Knocker

## Features:

- Suits perfectly with Elite Stainless Steel furniture for a totally coordinated, modern door style
- Knockers are face fixed eliminating the need to drill through the door
- Quick installation
- All knockers are available in a full choice of finishes including Polished/Brushed Gold (PVD), Polished/Brushed Stainless, White and Black
- Available with and without spyhole

## Specification:

- 304 Stainless Steel
- 25 year anti-corrosion guarantee available on all Stainless Steel product finishes
- 10 year mechanical guarantee



### Part Code:

- 0704-2003-BG
- 0704-2003-BK
- 0704-2003-BS
- 0704-2003-CH
- 0704-2003-GO
- 0704-2003-SS
- 0704-2003-WH
- 0704-2004-BG
- 0704-2004-BK
- 0704-2004-BS
- 0704-2004-CH
- 0704-2004-GO
- 0704-2004-SS
- 0704-2004-WH

### Part Name:

- Traditional Knocker Brushed Gold
- Traditional Knocker Black
- Traditional Knocker Brushed Stainless
- Traditional Knocker Chrome
- Traditional Knocker Gold
- Traditional Knocker Satin Silver
- Traditional Knocker White
- Traditional Knocker with Spyhole Brushed Gold
- Traditional Knocker with Spyhole Black
- Traditional Knocker with Spyhole Brushed Stainless
- Traditional Knocker with Spyhole Chrome
- Traditional Knocker with Spyhole Gold
- Traditional Knocker with Spyhole Satin Silver
- Traditional Knocker with Spyhole White





The world's favourite lock since 1843

**Yale**

School Street, Willenhall, West Midlands  
WV13 3PW, UK

T: 01902 366800 F: 01902 369041

**[www.yaledws.co.uk](http://www.yaledws.co.uk)**

\* Terms and conditions apply. Please see [yaledws.co.uk](http://yaledws.co.uk) for further details.

Issued February 2019 (1:2)