



The world's favourite lock since 1843

Yale Lockmaster 28mm Backset

Installation and adjustment guide



The incorrect installation of prefabricated door sets can lead to a number of operation and performance issues. In this guide, we will give you our expert advice to help to avoid these common issues, including:

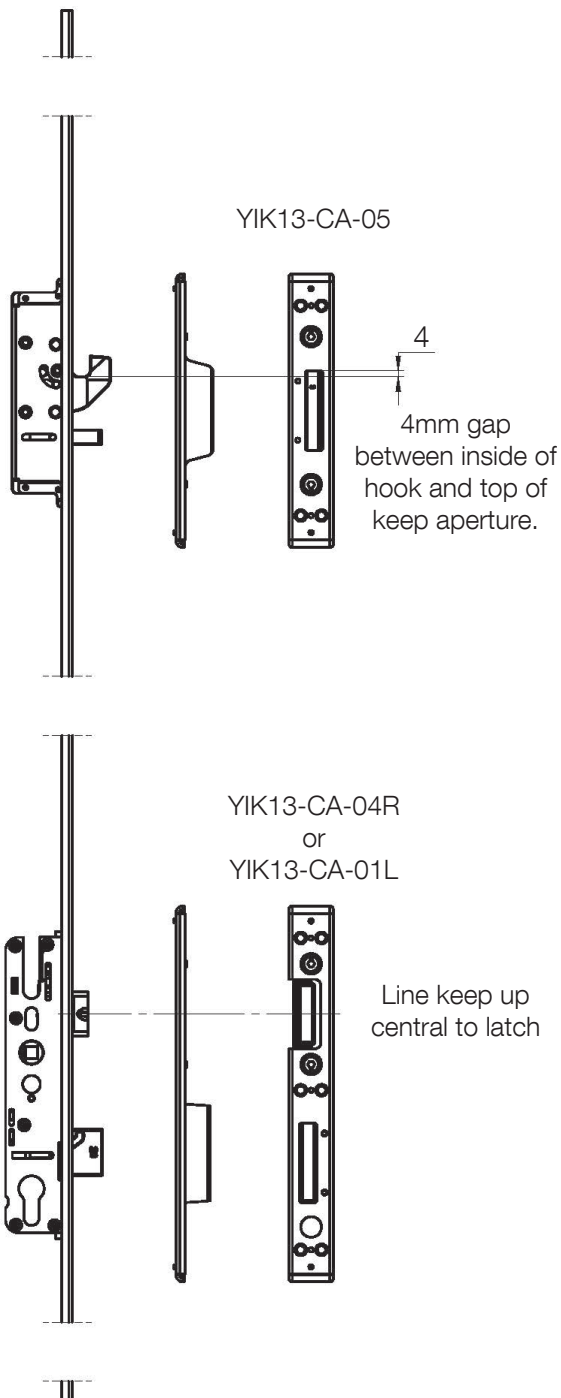
- Fitting a Lockmaster 28mm backset lock to a PVCu/Aluminium door
- Yale Lockmaster 28mm Backset Lock Guide

LOCKMASTER[®]



Lockmaster 28mm Backset Lock Guide

Figure One



PAS24 Hook Keep Alignment

- Please see figure one for a visual check of the hook keep alignment.
- Adjustable hook keep (+/- 2mm). To adjust keep use a 4mm hexagon key hand held.
- There should be a 4mm expansion gap between the lock faceplate and the face of the latch casting.

PAS24 Centre Keep Alignment

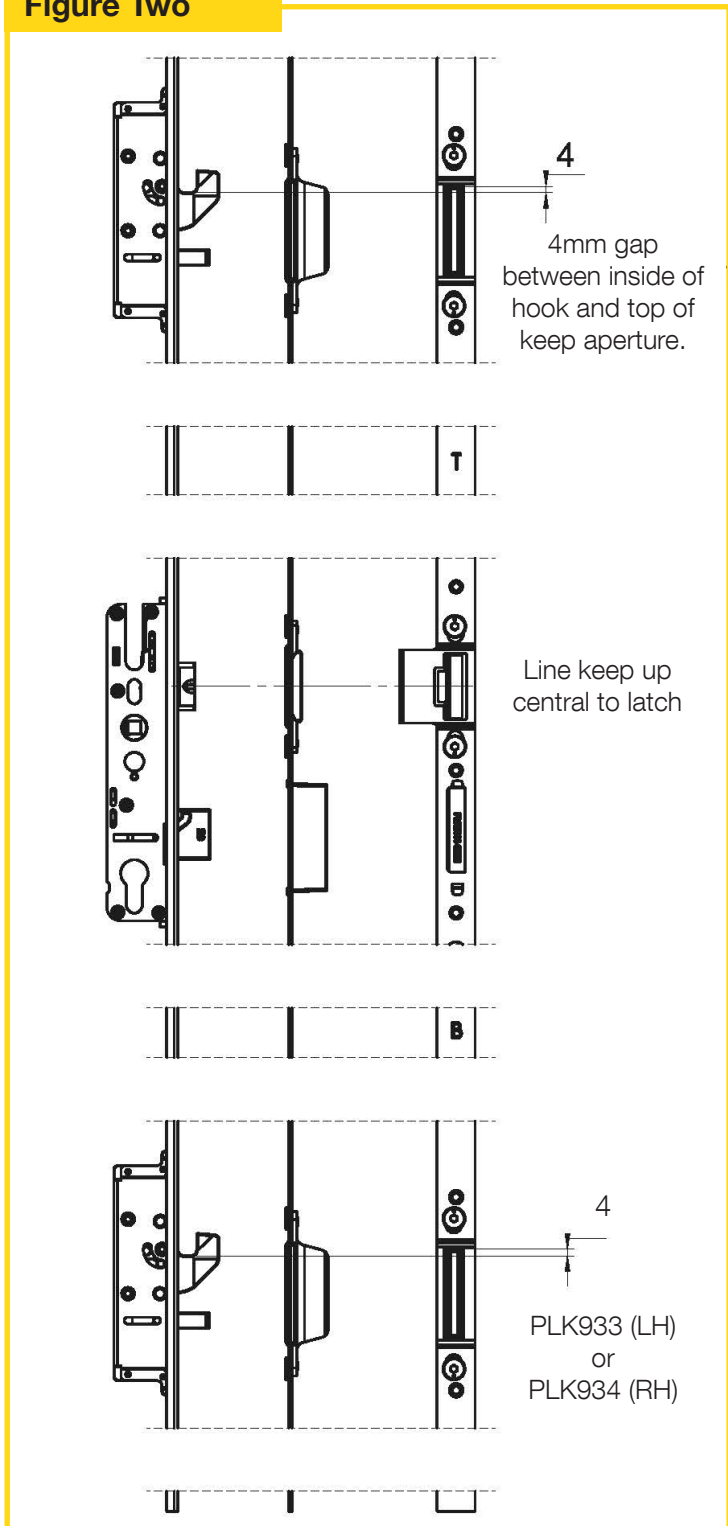
- Line up the centre keep latch receiver with the centre of the latch on the lock.
- Adjustable Centre keep (+/- 2mm). To adjust keep use a 4mm hexagon key hand held.





Lockmaster 28mm Backset Lock Guide

Figure Two

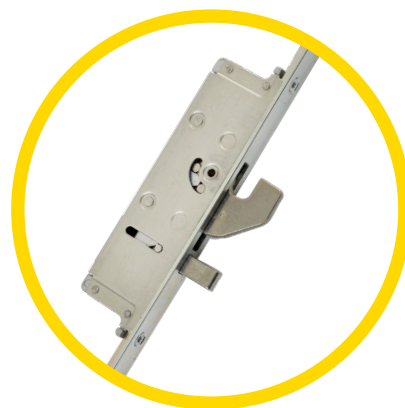


Hook Keep Alignment

- Please see figure two for a visual check of the hook keep alignment.
- Adjustable hook keep (+/- 2mm). To adjust keep use a 4mm hexagon key hand held.
- There should be a 4mm expansion gap between the lock faceplate and the face of the latch casting (See figure two).

Centre Keep Alignment

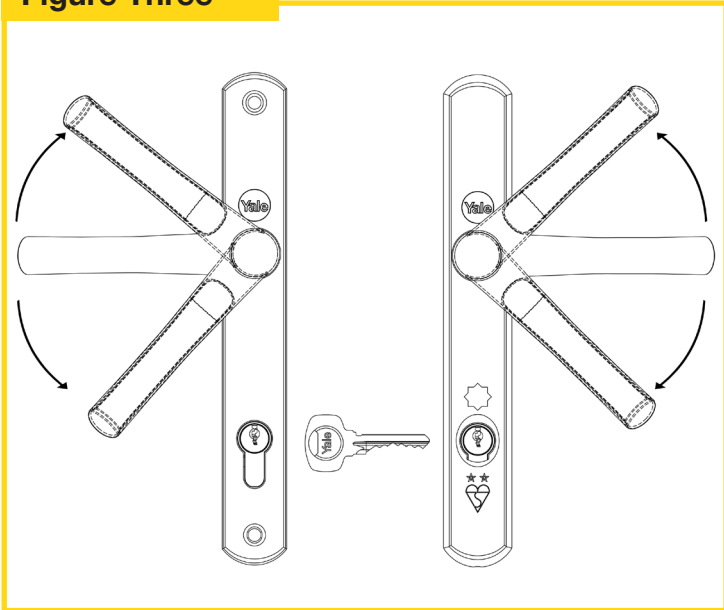
- Line up the centre keep latch receiver with the centre of the latch on the lock.
- Adjustable Centre keep (+/- 2mm). To adjust keep use a 4mm hexagon key hand held.





Operational Instructions

Figure Three



To lock the door - all applications

- Close your door to engage the latch
- Lift the handle to engage all locking points
- Insert the key into the cylinder and turn the key anti-clockwise to deadlock your door. (Note: If using a Thumbturn cylinder turn cylinder knob anti-clockwise to deadlock).
- Remove the key
- The door is now fully secure

To unlock the door - Lever/Lever Handle

- Insert the key into the cylinder and turn the key clockwise to un-deadlock your door
- Pull the handle down to retract all locking points
- Open the door and remove the key

To unlock the door - Lever/Pad Handle - Outside Only

- Insert the key into the cylinder and turn the key clockwise to un-deadlock your door
- Pull the handle down to retract all locking points
- Turn the key a quarter turn clockwise to retract the latch
- Open the door and remove the key

Note: When entering your home it is important to ensure that the door is fully secure

Maintenance Instructions

Yale recommends that all moving components are lubricated using a non-acidic mineral oil at least twice a year and surface cleaned with a damp cloth. The product may need to be adjusted to ensure satisfactory operation.





The world's favourite lock since 1843

Yale Door and Window Solutions

School Street, Willenhall, West Midlands, WV13 3PW, UK

T: 01902 366800 F: 01902 369041

www.yaledws.co.uk

© Yale, August 2020

THE YALE BRAND, with its unparalleled global reach and range of products, reassures more people in more countries than any other consumer locking solution.

THE ASSA ABLOY GROUP is the world's leading manufacturer and supplier of locking solutions, dedicated to satisfying end-user needs for security, safety, and convenience.

Due to a continuous programme of development the company reserves the right to make alterations without notice. (Products which are not a stocked item will be subject to a longer lead time which needs to be agreed with your Yale representative).

An ASSA ABLOY Group brand

ASSA ABLOY