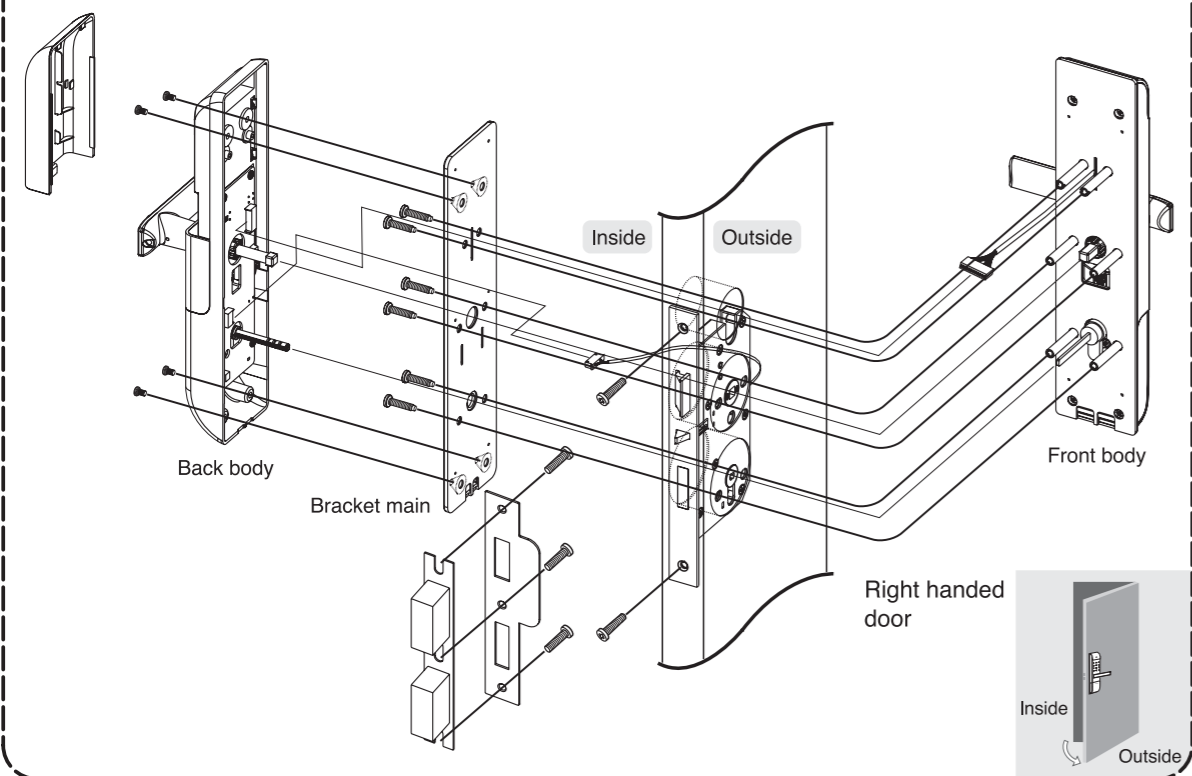


# Installation view

※ Factory default : Right handed door

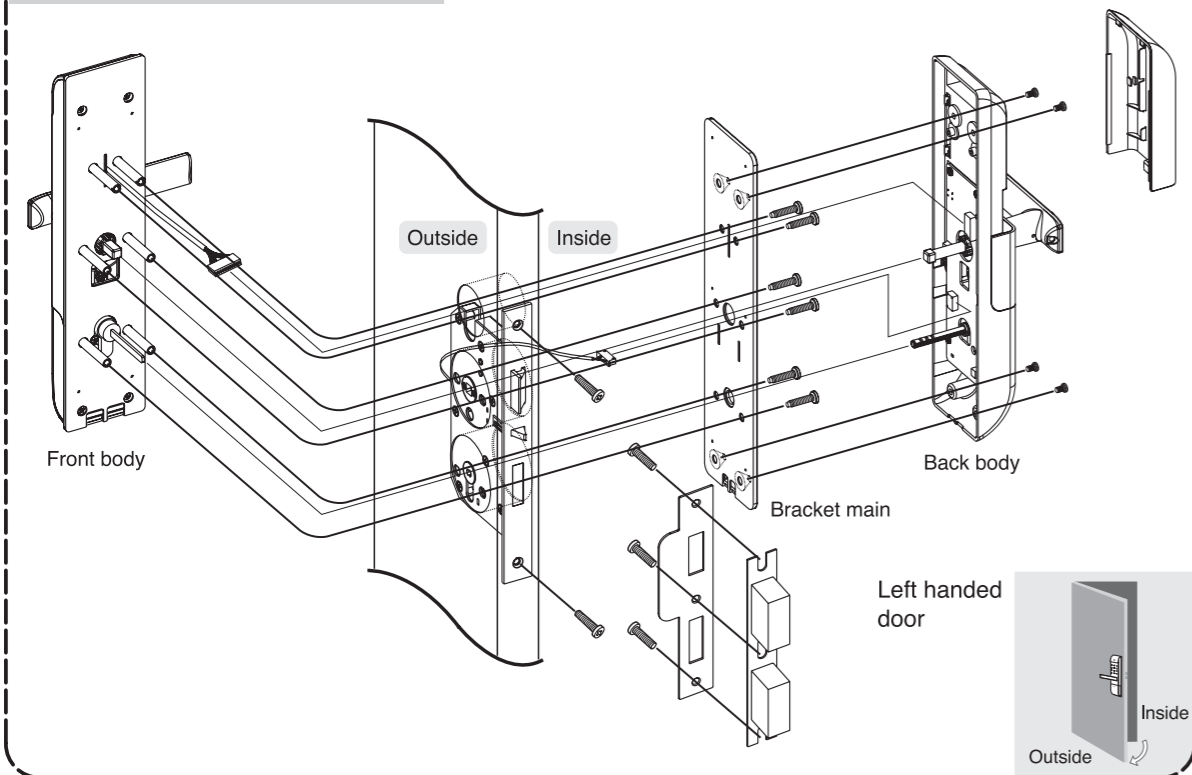
## Right handed door



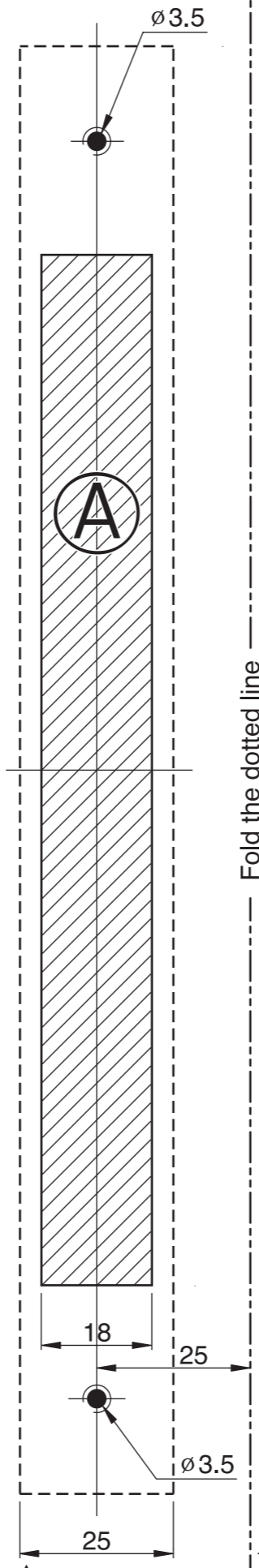
※ Make sure to check door side before you install. (See "2 Determine door type")

**how to set :** It automatically sets when putting batteries. The door should open position.

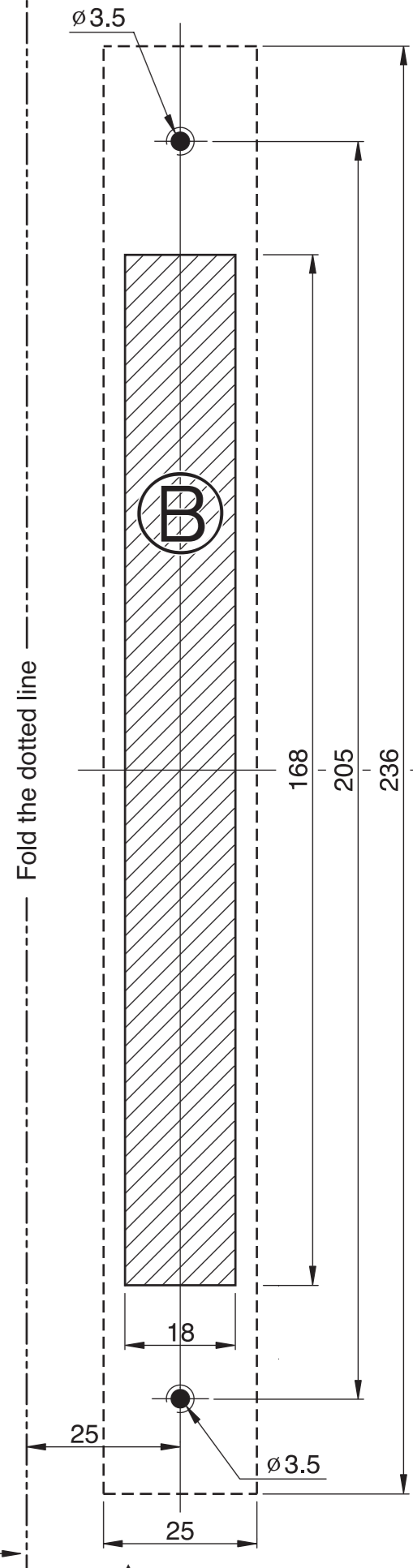
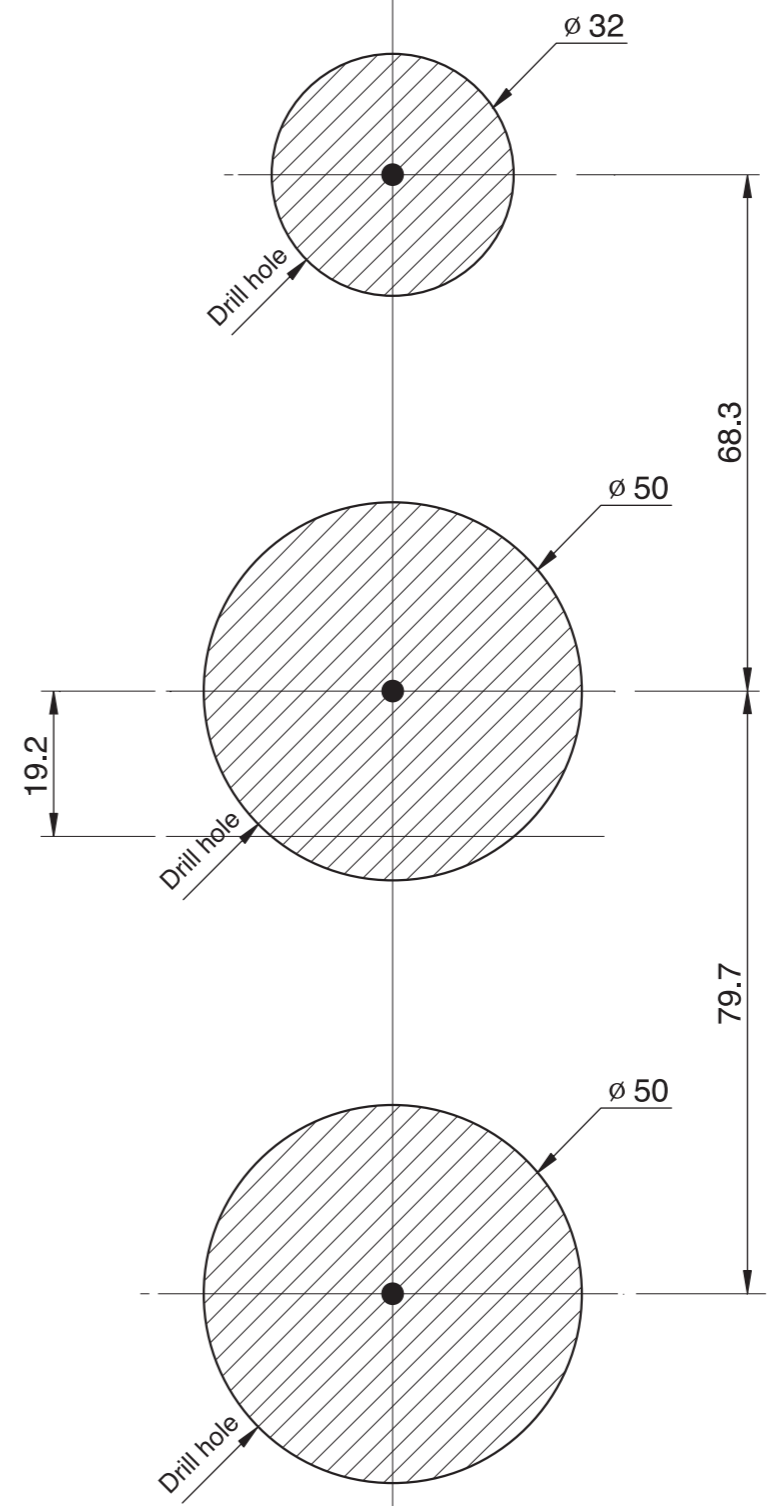
## Left handed door



**Caution**  
Depending on your door, some modifications might be required.



⚠ This template is based on 40mm thickness door.



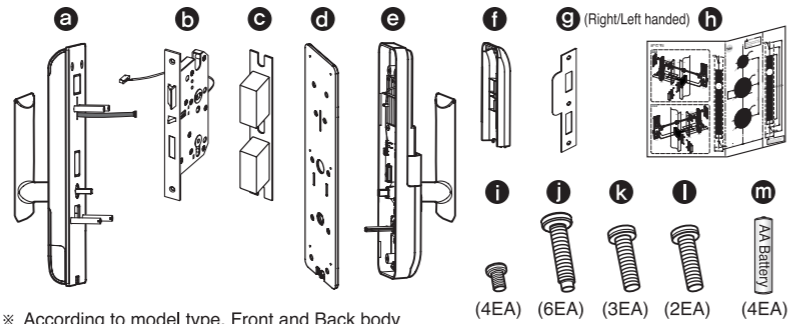
**Caution**  
Ⓐ and Ⓑ shaded parts indicate the hole for mortise installation. If necessary, door modification is required accordingly.

※ Factory default is right handed door.

■ Instruction

- Fixing screw
- Connection

### 1 Package check

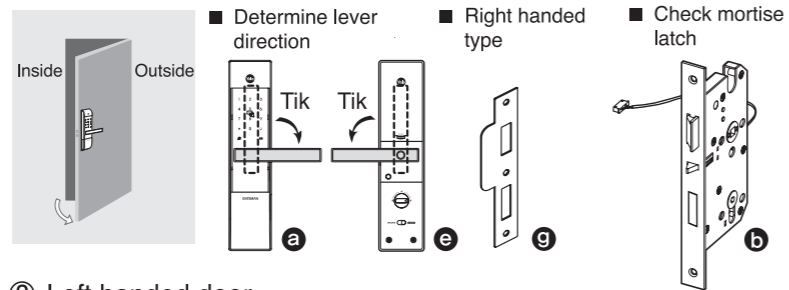


※ According to model type, Front and Back body design can be differed.

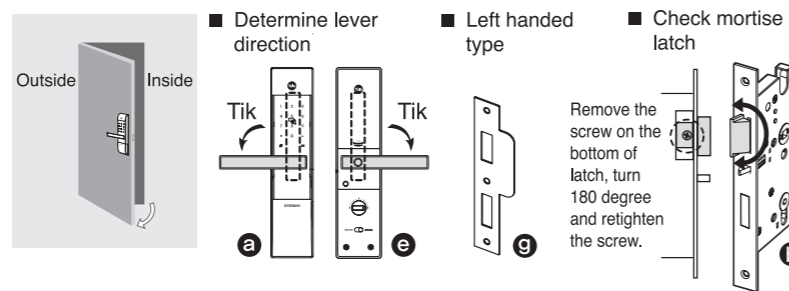
(4EA) (6EA) (3EA) (2EA) (4EA)

### 2 Determine door type

#### 1 Right handed door



#### 2 Left handed door

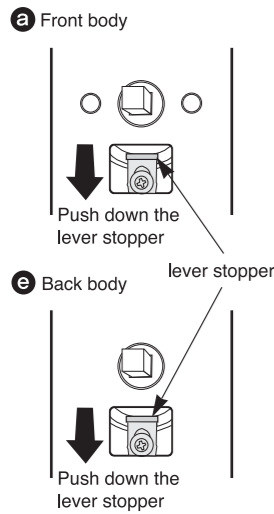


This product automatically detects the right and left side door. (field reversible)  
(how to set : It automatically sets when putting batteries. The door should open position.)

※ Lever direction adjustment : see left detail.

#### How to change lever direction!

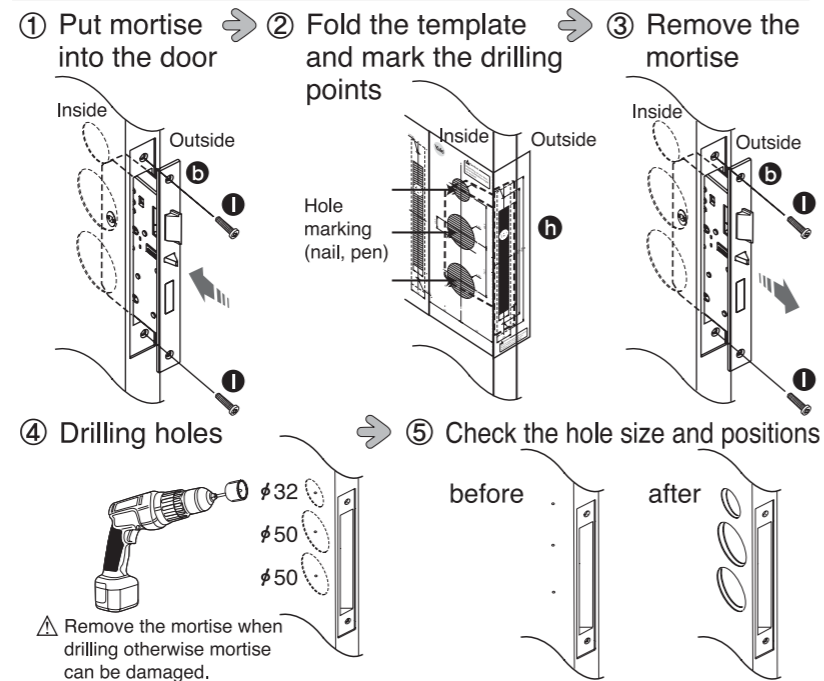
△ Make sure to grab the lever for safety reason when you change the direction.



#### Caution

Make sure the insert batteries when the door is open position.  
(Make sure that automatic right and left side door detection sets when the door is open position.)

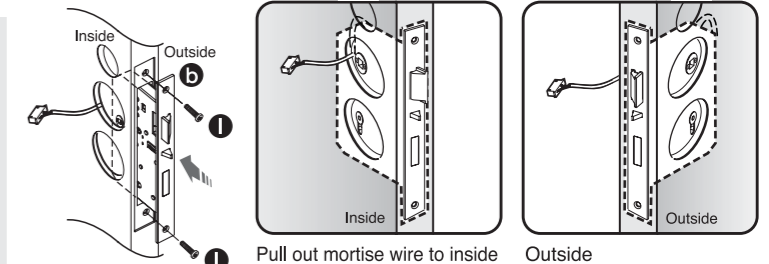
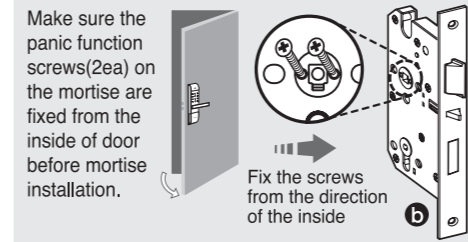
### 3 Hole cutting (Right handed door)



△ Remove the mortise when drilling otherwise mortise can be damaged.

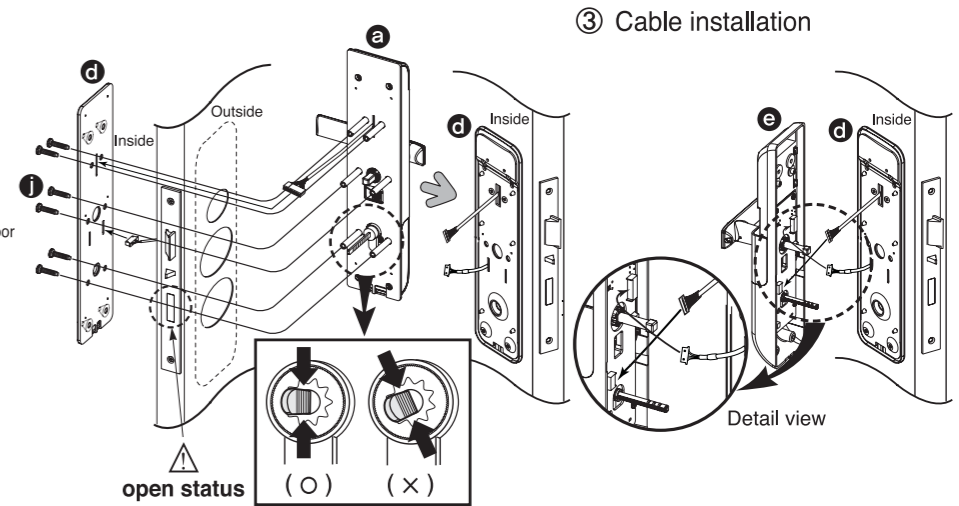
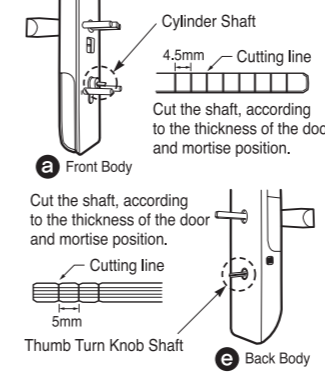
### 4 Installation (Right handed door)

#### 1 Mortise installation

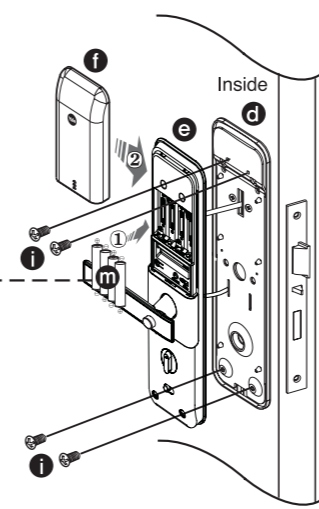


#### 2 Front body installation

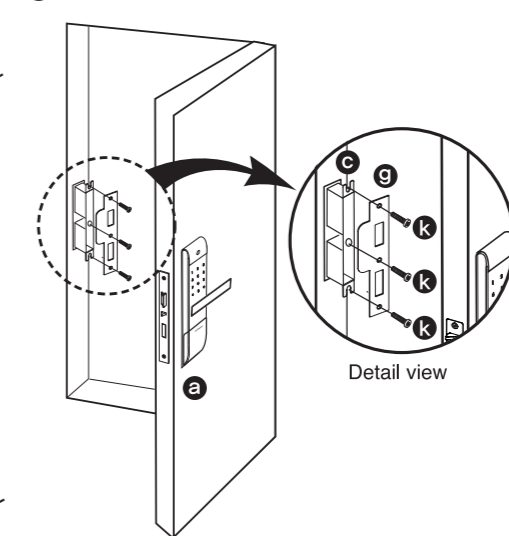
According to the door thickness, cut the cylinder and knob shaft.



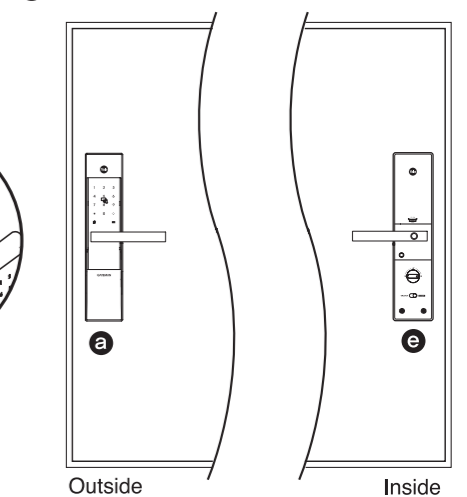
#### 4 Back body installation



#### 5 Striker installation

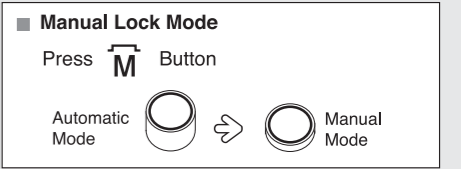


#### 6 After installation



#### Check points for Installer

- The default Security Code is 1234567890  
Test the Security Code works by pressing \* 1234567890 \*
- After key (Fingerprint, card, i-button) registration, check the lock open.
- Check the Automatic Locking works properly.  
The door should be automatically locks in 5 seconds after closing.
- Explain Safe handle and how to set.



#### Check points for Owner

- Re-register your own Security Code.
- Read the User Manual before further use.
- Register your own keys.
- Understand the Emergency Power Supply feature.
- Understand the Forced Lock Modes.

