



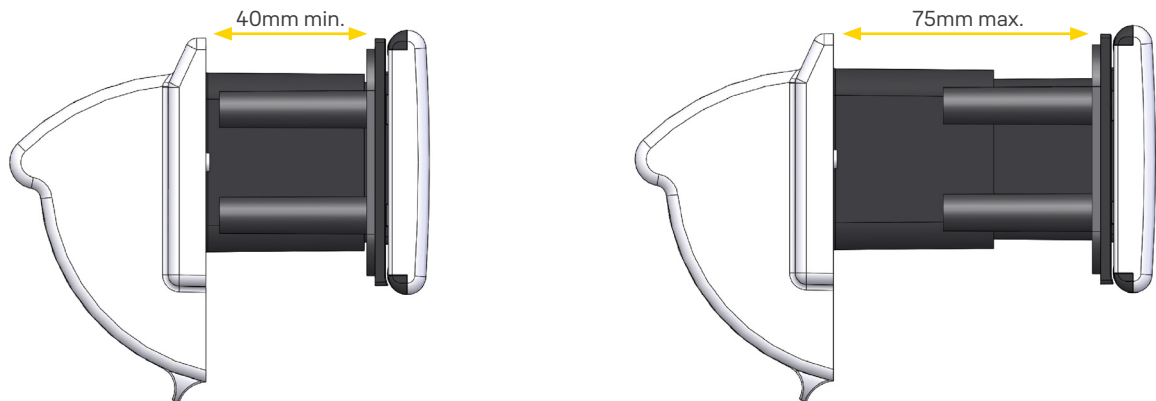
# Yale Postmaster Professional Standard Letterplate

## **Fitting Instructions**

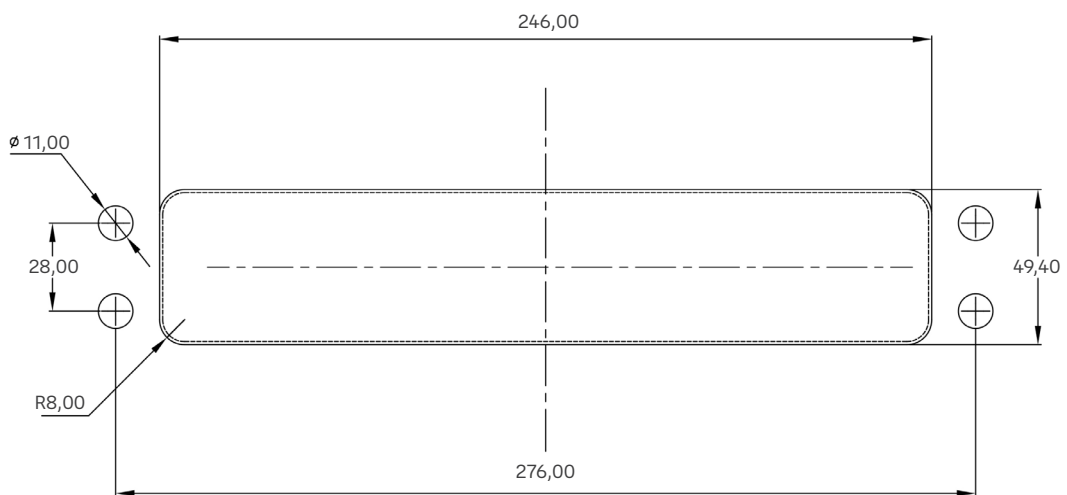


The Yale Postmaster Professional letterplate is designed and certified for installation into timber, UPVC, composite and aluminium substrate materials

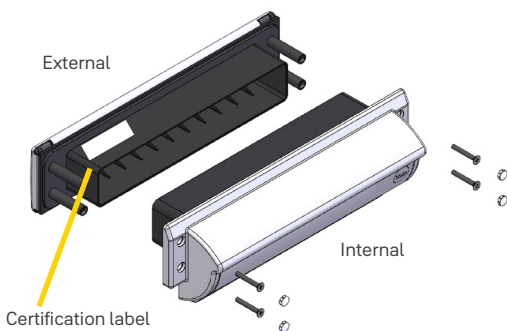
# Telescopic Sleeve



# Routing Prep



# Fitting



Position the Outer and Inner letterplate assemblies into the aperture.

Secure in place from the internal side using x4 M4 fixing screws provided. To avoid distortion and over-compression of the gasket please ensure the screws are not over tightened.

Push the 4 screw cover caps provided into place and remove the protective film.



Where a letter plate assembly or slide through box is fitted into a fire rated door or panel, it is essential that its fire rating is the same or higher than the surround into which it is to be fitted. When considering the scope of a letterplate with fire performance for inclusion in a fire doorset, the scope shall be limited to what is proven by test, including the generic fire resisting door type/thickness used, the height/direction tested, and shall remain specific to the test standard adopted.

TS 008 compliant letterplates provide resistance against various methods of theft. For optimum protection, the letterplate should be installed in line with the test methods described in TS 008.

This installation manual is to be used in conjunction with the Postmaster Professional TS008 Standard letterplate range.

**Partcode:** 0793-3000

#### **THE YALE BRAND**

Yale is trusted by millions of people every day to keep what's important to them safe. Their homes, families and belongings. Our innovations have protected homes and given peace of mind for 180 years. We have expanded from a mechanical lock innovator to leading the evolution of connected smart locks and homes. Because when we do things, we do them properly. We were there for your grandparents (and probably theirs) and we will be there for you. And for your children. Today, and every day to come.

Due to a continuous programme of development the company reserves the right to make alterations without notice. (Products which are not a stocked item will be subject to a longer lead time which needs to be agreed with your Yale representative).

Yale Door and Window Solutions  
School Street, Willenhall, West Midlands  
WV13 3PW, UK  
T: 01902 366800 F: 01902 369041  
[www.yaledws.co.uk](http://www.yaledws.co.uk)

August 2023 V1.6  
ASSA ABLOY©