

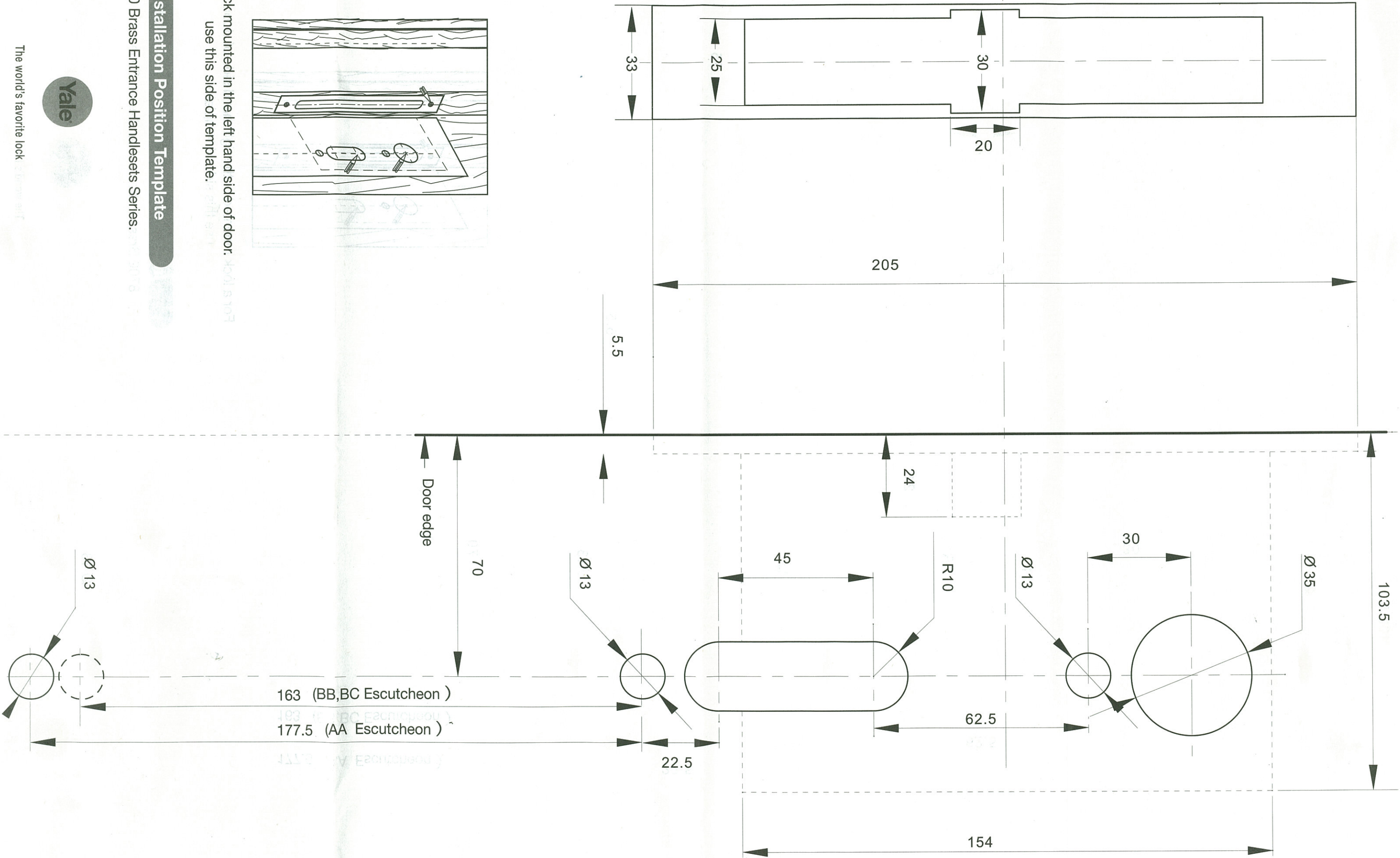
For a lock mounted in the left hand side of door, use this side of template.

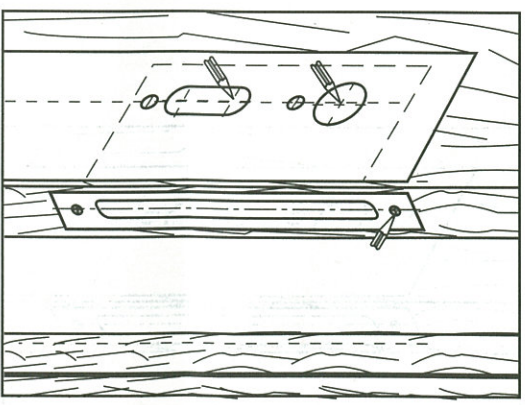
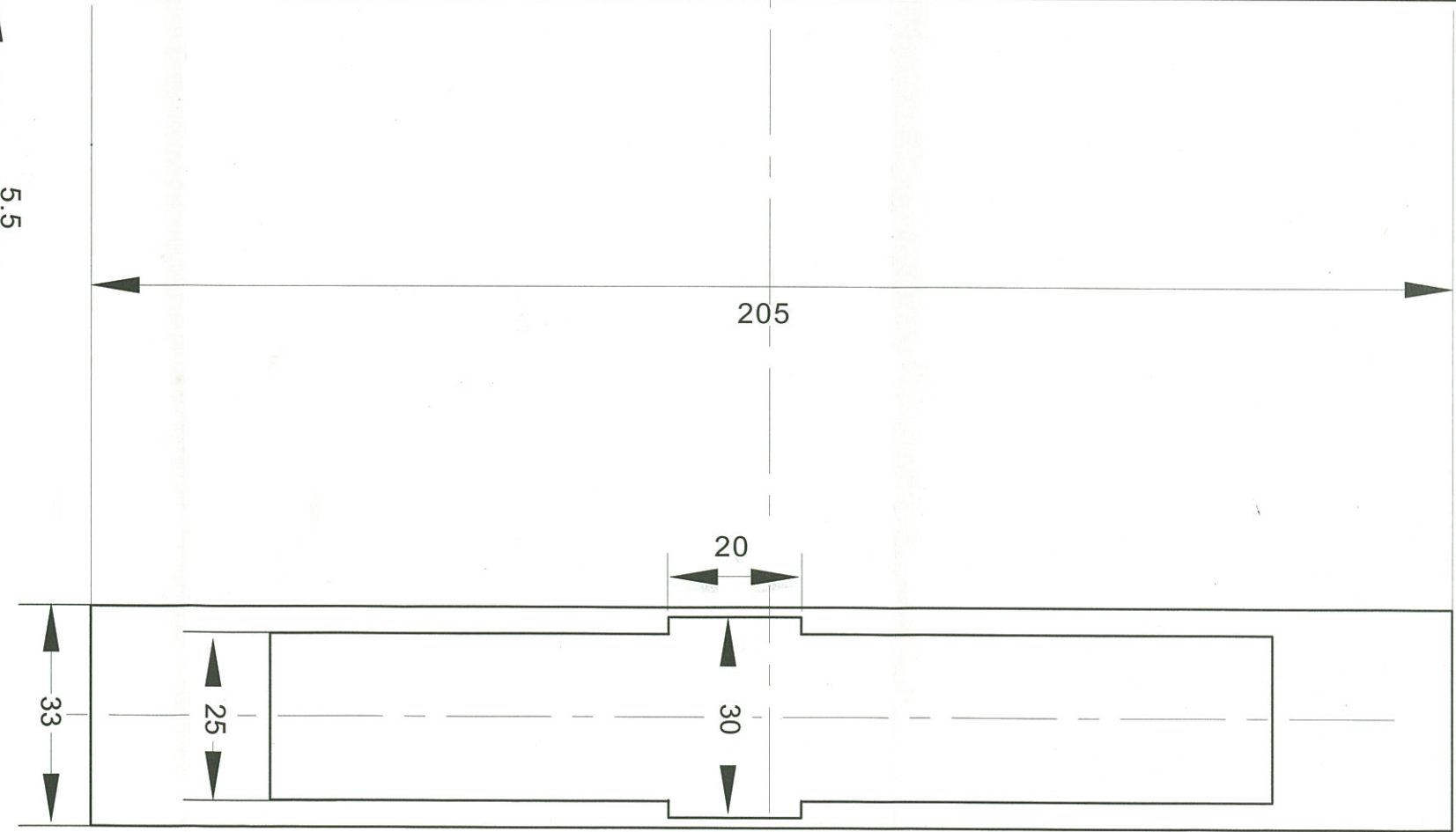
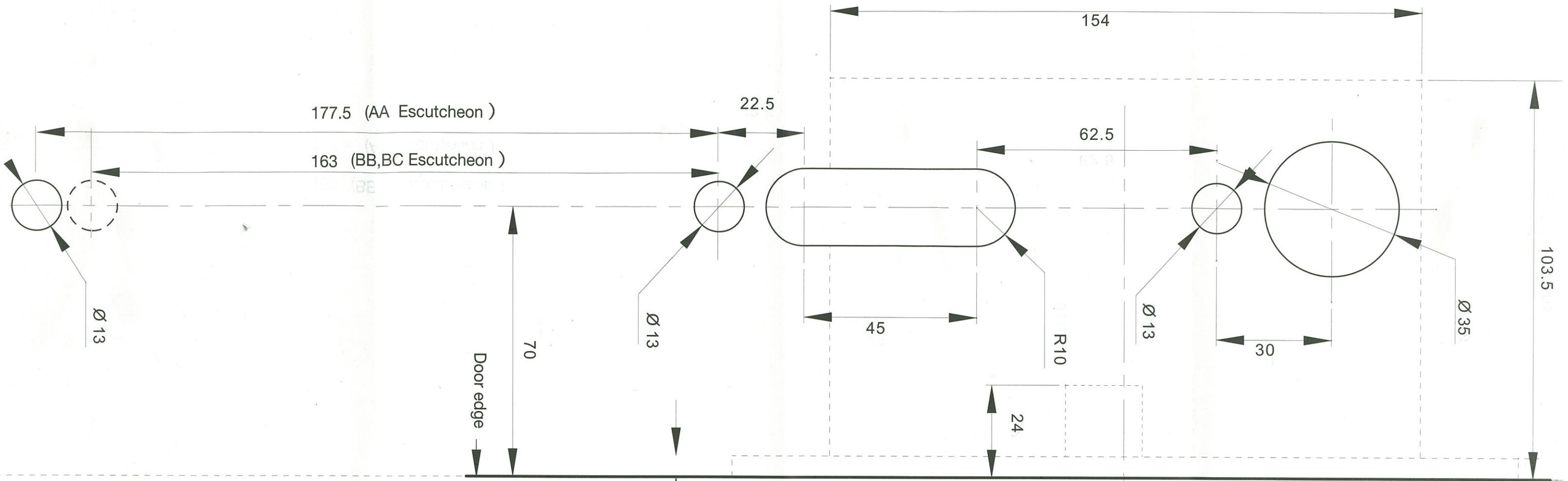
Installation Position Template

8700 Brass Entrance Handsets Series.



The world's favorite lock





For a lock mounted in the right hand side of door, use this side of template.

**Installation Position Template**

8700 Brass Entrance Handsets Series.



The world's favorite lock