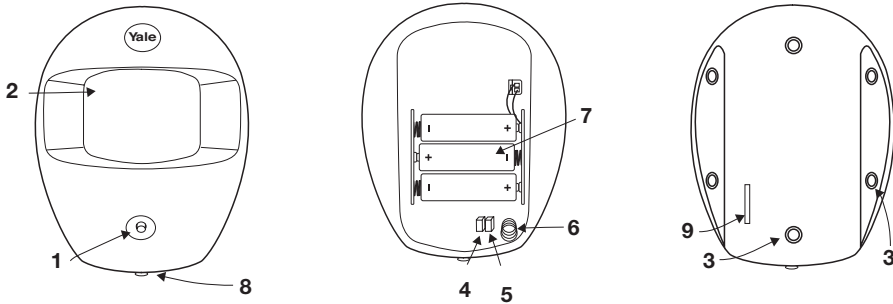


## PIR Motion Detector (EF-PIR)



### Description

1. Learn/Test Button  
**To enter Test mode:** Press once in Standby mode. The LED will light up for 2 seconds whenever motion is detected. Test mode lasts for 3 minutes.
2. LED Indicator
3. Knockouts for Wall/Corner Mounting
4. Jumper 2 = Supervision Enable/Disable
5. Jumper 3 = Motion High/Low Sensitivity
6. Tamper Switch with spring
7. 3x 1.5V AAA Alkaline Batteries
8. Cover securing screw
9. Battery tab

### Inside the Box

- 1 x PIR Motion Detector.
- 4 x wall plugs & screws.
- 3 x 1.5V AAA alkaline batteries (pre-fitted).

### Programming & Location

Program your PIR before installation and test afterwards. Please see your Alarm user manual.

- Mount in a position such that an intruder would normally move across the PIRs field of view.
- Height should be between 1.9 and 2 metres above floor level.
- Location in a corner will ensure wider room coverage.
- Do not mount the PIR where its field of view will be obstructed e.g. by curtains, ornaments etc.
- Do not point directly at sources of heat e.g. fires or boilers, and do not position directly above radiators.
- Avoid mounting the PIR directly facing a window.
- Do not point the PIR at a door protected by a Door/Window Contact.

For more information on this product and Yale Smart Living Range visit [www.yale.co.uk/smart-living](http://www.yale.co.uk/smart-living)  
**Consumer Support:** [info@yale.co.uk](mailto:info@yale.co.uk)



The 2 year guarantee for this product is active from the date of purchase (A copy of this guarantee is available on our website).

# Operation

## Supervision Enable/Disable Jumper 2

If enabled, the PIR will automatically transmit Supervisory signals periodically to the Control Panel or Smart Hub at random intervals. The Control Panel or Smart Hub needs to have supervision enabled before it can monitor these periodic signals.

Jumper On = Supervision Disabled (Default)

Jumper Off = Supervision Enabled

## Motion High/Low Sensitivity Jumper 3

Jumper On = Increase PIR sensitivity to motion

Jumper Off = Decrease sensitivity (Factory Default)

## Sleep Timer

The PIR features an automatic "sleep time" of Once the PIR has detected motion, the PIR will not retransmit for 1 minute. Any further motion detected within this one-minute sleep period will extend the sleep time by another minute.

## LED indicator

Off	Normal operation
LED flash (2 sec)	When motion is detected and the LED flashes for 2 seconds, this indicates one of the following: <ul style="list-style-type: none"><li>• Low battery</li><li>• Tamper switch activated</li><li>• PIR in 'Test Mode'</li></ul>

# Specification

Environmental conditions:  
-10c to 40c , relative humidity 85%  
non-condensing. Indoor use only

## Radio:

868MHz FM

## Motion Detection Range

110°

Compatible with Yale 'SR' and 'EF' Series Alarm Kits.

Issue No. 1A



Information and illustrations are subject to change. Yale reserves the right to alter the specification and product design at any time without notice.

**WEEE**  
Note: Waste electrical products and batteries should not be disposed of with household waste. Please recycle where facilities exist. Check with your local authority or retailer for recycling advice.