



Make it smart. Yale Linus[®] Adjustable Cylinder

Make your door smarter with a keyless door lock designed to secure and simplify your life.

Depending on what cylinder is currently in your door, you may need to change it in order to be compatible with the Linus[®] Smart Lock. The Linus[®] Adjustable Cylinder is guaranteed to work with the Linus[®] Smart Lock.

There is no need to measure your door as the adjustable cylinder is designed to expand to fit your door. Make the Linus[®] Adjustable Cylinder the same length as your current cylinder using the appropriate external and internal spacers.

For more information around what makes your current cylinder compatible, please see overleaf.

- EN1303 standard
- Classification code: 1 6 0 B 0 C 5 D
- Patent pending



6 pin sawn
key cylinder



Anti pick



Anti drill



Anti bump



Anti pull
(7 kN)



Trusted every day

You will need our Yale Linus® Adjustable Cylinder if any of the following is true for you:



01

You **have** a thumbturn



02

You **can't** use a key on the inside and outside at the same time



03

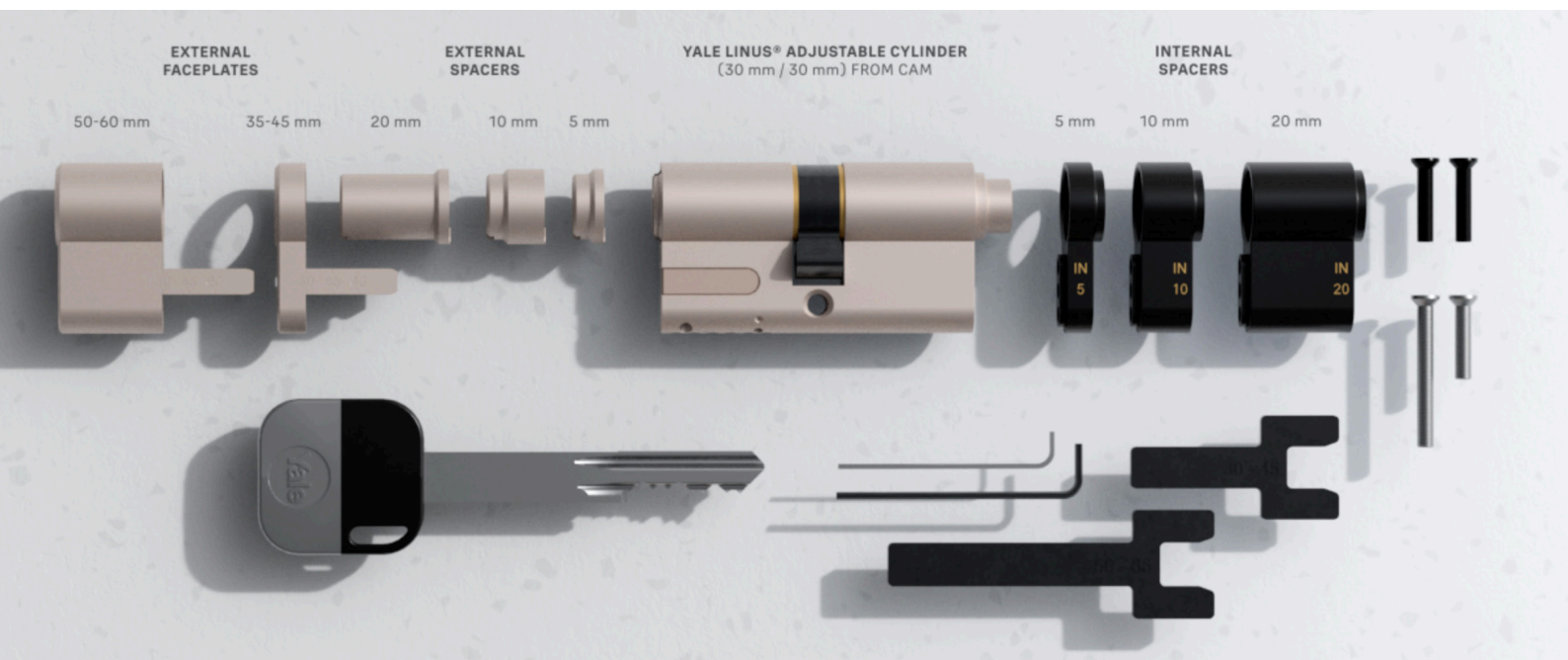
The thickness of your key is **more than 6mm**



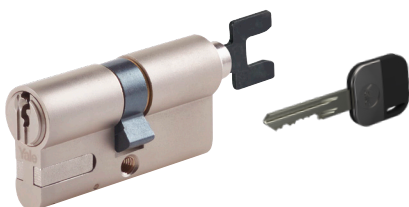
04

The key protrudes **more than 40mm** from the cylinder

Please check our compatibility checker on our website.



Lengths of cylinder:



30+30

Shortest cylinder variant



60+65

Longest cylinder variant

Internal cylinder lengths:

- 30mm minimum - 65mm maximum
- 5mm size increments

External cylinder lengths:

- 30mm minimum - 60mm maximum
- 5mm size increments