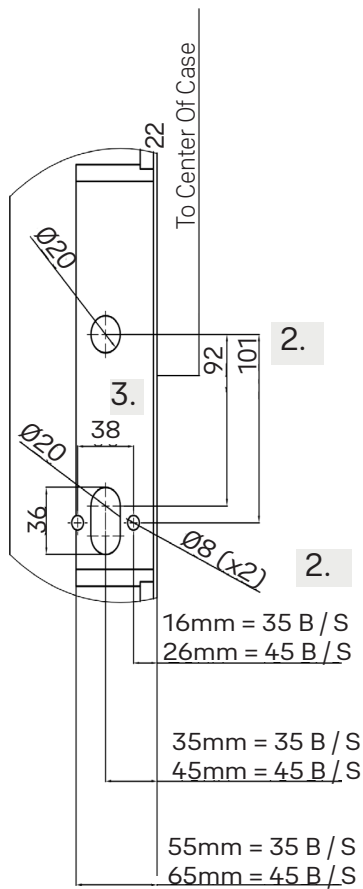




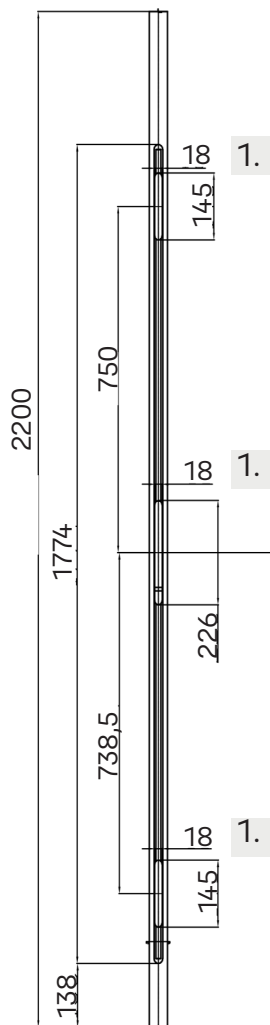
Lockmaster AutoEngage - Routing Prep Classic Multipoint lock

The incorrect routing can lead to a number of operation and performance issues. In this guide, we will give you our expert advice to help to avoid these common issues.

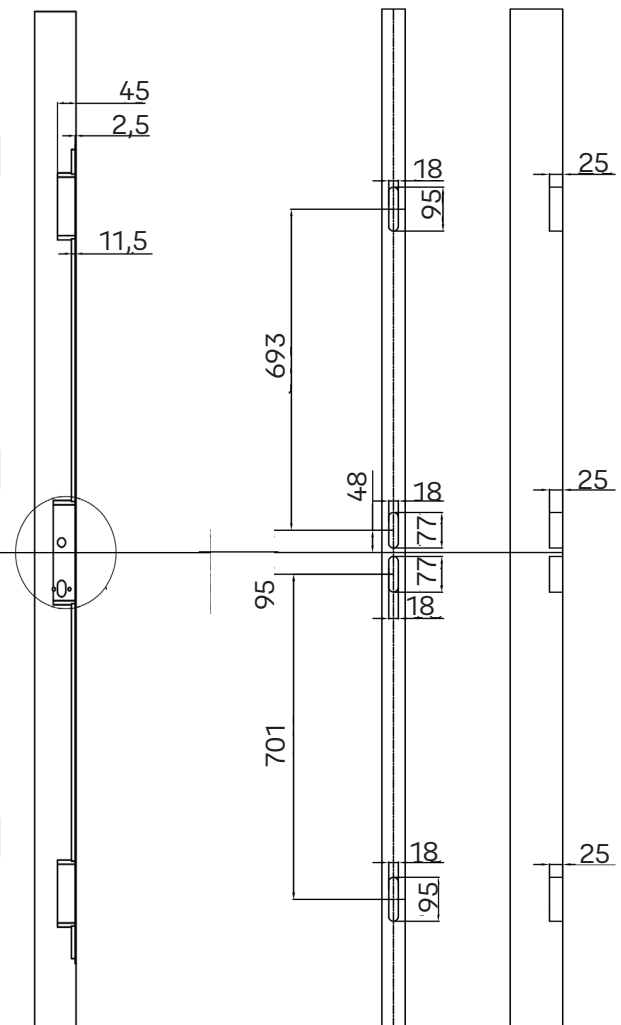
Handle / Cylinder Pull Routing



Lock Routing



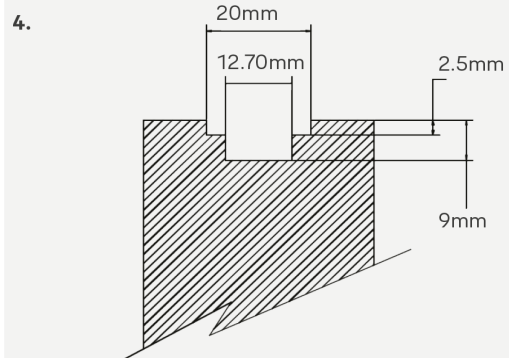
Keep Routing



Prep changes as follows:

1. Pocket prep opened to 18mm to reduce the chance of pinching around the locking units and to allow for better centralisation of the lock within the door slab
2. Dimension added (101mm) from Spindle centre line to centre of fixing screw this is crucial when fitting the cylinder pull. Note: this is a critical dimension
3. Recommended Cylinder Pull fixing screw dimension (38mm) added
4. Required Eurogroove depth added

Eurogroove prep.



If a 16mm faceplate lock is being used without a carrier please refer the Yale Technical Services team.

Trusted every day

Yale
School Street, Willenhall,
West Midlands, WV13 3PW
T: 01902 366800 www.yaledws.co.uk
Prep rev. 6 - June 2021