



The world's favourite lock since 1843

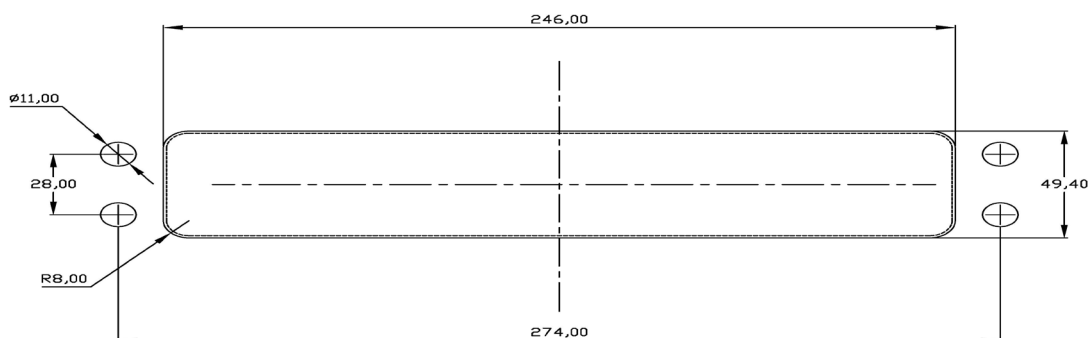
Postmaster Professional

The highly secure, TS008 - accredited letterplate from Yale.

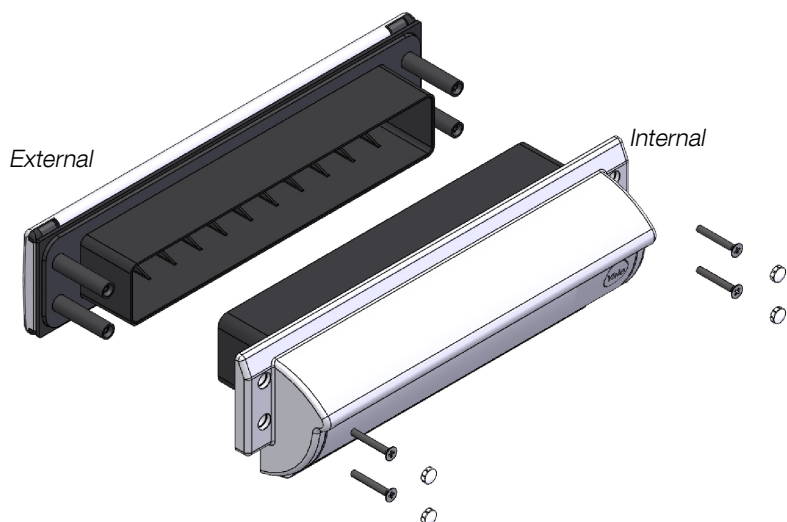
Telescopic Sleeve:



Routing Prep:



Fitting:



Assemble the Outer and Inner from their respective sides onto a pre prepared door and insert the 4 screws followed by the 4 screw caps from the inside - To avoid distortion and over compression of gasket ensure that screws are not over tightened.